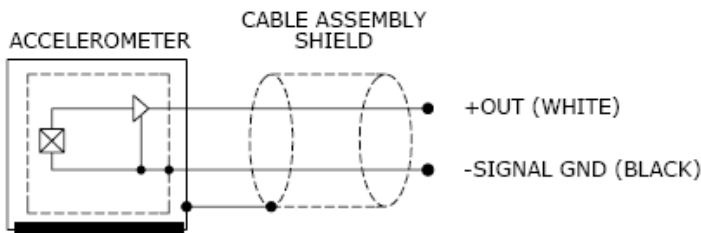
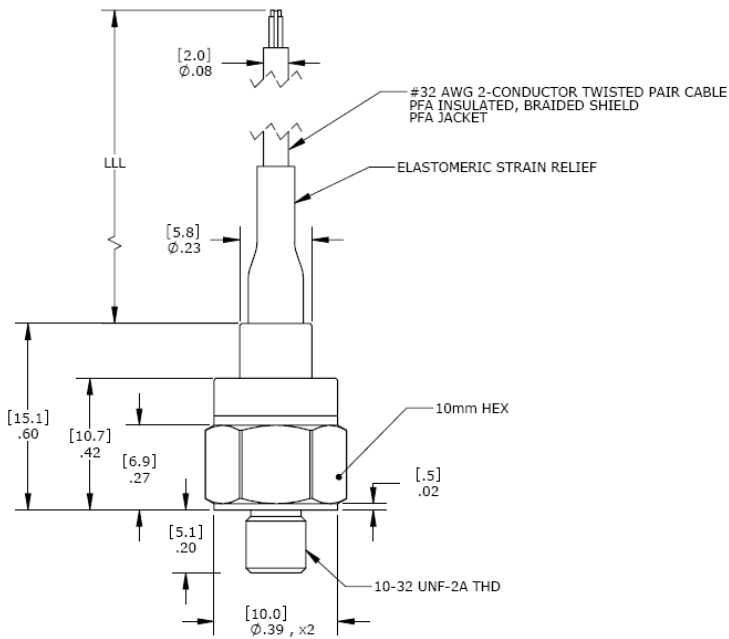




## DIMENSIONS



# MODEL 7109A ACCELEROMETER

## SPECIFICATIONS

- IEPE Shock Accelerometer
- $\pm 5,000g$  to  $\pm 20,000g$  Ranges
- Filtered Output
- Miniature, Stud Mount

The Model 7109A is a miniature stud mount IEPE shock accelerometer available in  $\pm 5,000g$  to  $\pm 20,000g$  ranges. The accelerometer features a welded hermetic stainless steel construction with an integral cable for electrical connection. The model 7109A incorporates a stable piezo-ceramic crystal in annular shear mode with outstanding linearity for shock measurements. The accelerometer has an operating range of  $0^{\circ}C$  to  $+85^{\circ}C$  and a flat frequency response to  $>10kHz$ .

## FEATURES

- $\pm 5,000g$  to  $\pm 20,000g$  Dynamic Range
- Welded Stainless Steel
- Hermetically Sealed
- $0^{\circ}C$  to  $+85^{\circ}C$  Operating Range
- Annular Shear Mode
- Case Isolated, Internally Shielded

## APPLICATIONS

- Far-field Shock Testing
- Drop Testing
- Structural Testing
- Impact Testing

## MODEL 7109A ACCELEROMETER

### PERFORMANCE SPECIFICATIONS

All values are typical at +24°C, 80Hz and 4mA excitation unless otherwise stated. Measurement Specialties reserves the right to update and change these specifications without notice.

#### Parameters

##### DYNAMIC

	±5,000	±10,000	±20,000	Notes
Range (g)	±5,000	±10,000	±20,000	
Sensitivity (mV/g)	1.00	0.50	0.25	±25%
Frequency Response (Hz)	2-8000	2-10000	2-10000	±1dB
Filter Corner Frequency (-3dB)	25000	25000	25000	-40dB/decade rolloff
Natural Frequency (kHz)	>80	>90	>90	
Non-Linearity (%FSO)	±1	±1	±1	
Transverse Sensitivity (%)	<5	<5	<5	
Shock Limit (g)	±50,000	±50,000	±50,000	

##### ELECTRICAL

Compliance Voltage (Vdc)	18 to 30	18 to 30	18 to 30	
Excitation Current (mA)	2 to 10	2 to 10	2 to 10	
Bias Voltage (Vdc)	8 to 12	8 to 12	8 to 12	Room Temperature
Bias Voltage (Vdc)	6 to 13	6 to 13	6 to 13	-55 to +125°C
Output Impedance (Ω)	<100	<100	<100	
Insulation Resistance (MΩ)	>50	>50	>50	@100Vdc
Full Scale Output Voltage (V)	±5	±5	±5	
Residual Noise (g RMS)	0.06	0.04	0.03	Broadband 1Hz to 10kHz
Discharge Time Constant (sec)	1 to 3			
Warm-Up Time (sec)	<5			
Ground Isolation	Case Isolated, Internally Shielded			

##### ENVIRONMENTAL

Temperature Response (%)	See Typical Temperature Response Curve
Operating Temperature (°C)	0 to +85
Storage Temperature (°C)	-55 to +125
Humidity	Hermetically Sealed

##### PHYSICAL

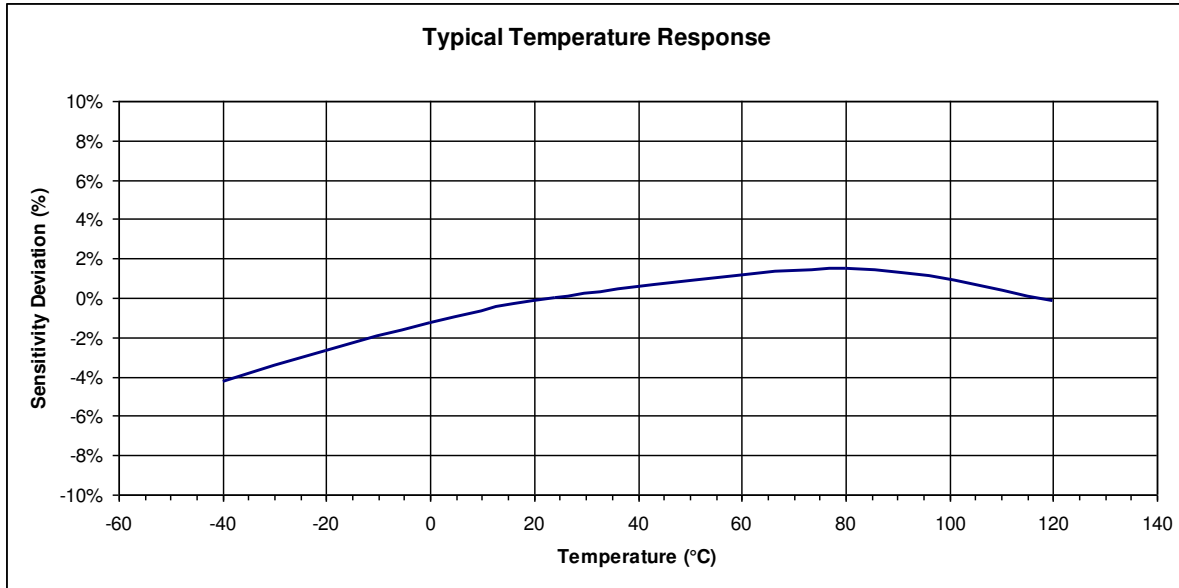
Sensing Element	Ceramic (shear mode)	
Case Material	Stainless Steel	
Cable	#32 AWG PFA Insulated Leads, Braided Shield, PFA Jacket	See Note 1
Weight (grams)	5	Cable not included
Mounting	#10-32 or M5x0.8 Mounting Stud	
Mounting Torque	18 lb-in (2.0 N-m)	

<sup>1</sup> A 10-32 Connector Option is Available, Installed at End of Cable Leads

**Calibration supplied:** CS-SKLIN NIST Traceable Shock Calibration at 5000g

**Optional accessories:** 161A 4-Channel PE & IEPE Signal Conditioner

The information in this sheet has been carefully reviewed and is believed to be accurate; however, no responsibility is assumed for inaccuracies. Furthermore, this information does not convey to the purchaser of such devices any license under the patent rights to the manufacturer. Measurement Specialties, Inc. reserves the right to make changes without further notice to any product herein. Measurement Specialties, Inc. makes no warranty, representation or guarantee regarding the suitability of its product for any particular purpose, nor does Measurement Specialties, Inc. assume any liability arising out of the application or use of any product or circuit and specifically disclaims any and all liability, including without limitation consequential or incidental damages. Typical parameters can and do vary in different applications. All operating parameters must be validated for each customer application by customer's technical experts. Measurement Specialties, Inc. does not convey any license under its patent rights nor the rights of others.



**ORDERING INFORMATION**

**PART NUMBERING** Model Number+Range+Cable Length

7109A-GGG-LLL-XX

| | | Thread Option Dash Number  
 | | Cable Length (120 is 120 inches)  
 | Range (10K is 10,000g)

<b>Dash Number</b>	<b>Thread Options</b>
-01	#10-32 UNF-2B
-02	M5 x 0.8 6g

Example: 7109A-10K-120-01  
 Model 7109A, 10,000g, 120inch cable length, #10-32 UNF-2B stud

**NORTH AMERICA**

Measurement Specialties, Inc.,  
 a TE Connectivity Company  
 1000 Lucas Way  
 Hampton, VA 23666  
 Sales and Customer Service  
 Tel: +1-800-745-8008 or  
 +1-757-766-1500  
 Fax: +1-757-766-4297  
 t&m@meas-spec.com

**EUROPE**

MEAS France SAS  
 a TE Connectivity Company  
 26 Rue des Dames  
 F78340 Les Clayes-sous-Bois  
 France  
 Sales and Customer Service  
 Tel: +33 (0) 1 79 33 00  
 Fax: +33(0)1 34 81 03 59  
 t&m@meas-spec.com

**ASIA**

Measurement Specialties (China), Ltd.,  
 a TE Connectivity Company  
 No. 26 Langshan Road  
 Shenzhen High-Tech Park (North)  
 Nanshan District, Shenzhen 518057  
 China  
 Sales and Customer Service  
 Tel: +86 755 3330 5088  
 Fax: +86 755 3330 5099  
 t&m@meas-spec.com

**TE.com/sensorsolutions**

Measurement Specialties, Inc., a TE Connectivity company.

Measurement Specialties, TE Connectivity, TE Connectivity (logo) and EVERY CONNECTION COUNTS are trademarks. All other logos, products and/or company names referred to herein might be trademarks of their respective owners.

The information given herein, including drawings, illustrations and schematics which are intended for illustration purposes only, is believed to be reliable. However, TE Connectivity makes no warranties as to its accuracy or completeness and disclaims any liability in connection with its use. TE Connectivity's obligations shall only be as set forth in TE Connectivity's Standard Terms and Conditions of Sale for this product and in no case will TE Connectivity be liable for any incidental, indirect or consequential damages arising out of the sale, resale, use or misuse of the product. Users of TE Connectivity products should make their own evaluation to determine the suitability of each such product for the specific application.

© 2015 TE Connectivity Ltd. family of companies All Rights Reserved.