



DP86

Constant Voltage with Cable

SPECIFICATIONS

- **316L SS**
- **Wet/Wet Differential**
- **Low Pressure**
- **0 – 100mV Output**

The DP86 constant voltage with cable differential pressure sensor is a double-sided, media compatible, piezoresistive silicon pressure sensor packaged in a 316L stainless steel housing. The DP86 constant voltage with cable is designed for o-ring mounting. The sensing package utilizes silicone oil to transfer pressure from the two 316L stainless steel diaphragms to a single sensing element.

The DP86 constant voltage with cable is designed for high performance, low pressure applications where differential pressure measurement is required. The stainless steel package makes it suitable for use in liquids and corrosive environments.

Please refer to the DP86, uncompensated, non-silicone oil, constant current and constant voltage (fittings and cable design) for more information on different features of the DP86

FEATURES

- O-Ring Mount
- Up to -40°C to +125°C Operating Range
- Up to ±0.1% Pressure Non Linearity
- Solid State Reliability
- Low Pressure

APPLICATIONS

- Level Controls
- Tank Level Measurement
- OEM Equipment
- Corrosive Fluids and Gas Measurement Systems
- Flow Measurements

STANDARD RANGES

Range	psid	Range	bard
0 to 1	•	0 to .07	•
0 to 5	•	0 to .35	•
0 to 15	•	0 to 001	•
0 to 30	•	0 to 002	•
0 to 50	•	0 to 3.5	•
0 to 100	•	0 to 007	•
0 to 300	•	0 to 020	•
0 to 500	•	0 to 035	•

PERFORMANCE SPECIFICATIONS

Supply Voltage: 10Vdc

Ambient Temperature: 25°C (unless otherwise specified)

PARAMETERS	≤005PSI			≥015PSI			UNITS	NOTES	
	MIN	TYP	MAX	MIN	TYP	MAX			
Span	1psi: 77, 80, 83 5psi: 98, 100, 102			99	100	101	mV		
Zero Pressure Output	-2.0	0	2.0	-1.0	0	1.0	mV	1	
Pressure Non Linearity	1psi: -0.30 to 0.30 5psi: -0.20 to 0.20			-0.10		0.10	%Span	2	
Pressure Hysteresis	-0.10	±0.02	0.10	-0.05	±0.02	0.05	%Span		
Repeatability	±0.02			±0.02			%Span		
Accuracy RMS of NL, HY, RP	±0.6			±1.0			%Span		
Input Resistance	5500	9000	12500	5500	9000	12500	Ω		
Output Resistance	4000		30000	4000		25000	Ω		
Temperature Error – Span	-1.5		1.5	-1.0		1.0	%Span	3	
Temperature Error – Offset	-2.5		2.5	-1.0		1.0	%Span	3	
Thermal Hysteresis – Span	-0.25	±0.05	0.25	-0.25	±0.05	0.25	%Span	3	
Thermal Hysteresis – Offset	-0.25	±0.05	0.25	-0.25	±0.05	0.25	%Span	3	
Long Term Stability – Span	±0.10			±0.10			%Span/Year		
Long Term Stability – Offset	±0.25			±0.10			%Span/Year		
Line (Common Mode) Pressure	1000			1000			psi		
Line Pressure Effect on Zero	1psi: 4.0 Max 5psi: 0.8 Max			0.5			%Span/1Kpsi		
Supply Voltage	10		14	10		14	V	4	
Output Load Resistance	5			5			MΩ	5	
Insulation Resistance (50Vdc)	50			50			MΩ	6	
Output Noise (10Hz to 1KHz)	1.0			1.0			uV p-p		
Response Time (10% to 90%)	0.1			0.1			ms		
Pressure Overload	1psi: 10X Max 5psi: 3X Max			3X			Rated	7	
Pressure Burst	1psi: 12X Max 5psi: 4X Max			4X			Rated	7	
Compensated Temperature	1psi: 0°C to 50°C 5psi: 0°C to 70°C			-20			+85	°C	
Operating Temperature	1psi: -40°C to +85°C 5psi: -40°C to +125°C			-40			+125	°C	8
Storage Temperature	-40		+125	-40		+125	°C	8	
Voltage Breakdown	500V rms @ 50Hz, Leakage Current < 1mA								
Shock	50g, 1msec half sine shock per MIL-STD-202G, Method 213B, Condition A								
Vibration	±20g MIL-STD 810C, Procedure 514.2, Figure 514.2-2, Curve L								
Media – Pressure Port	Liquids and gases compatible with 316/316L Stainless Steel								

Notes

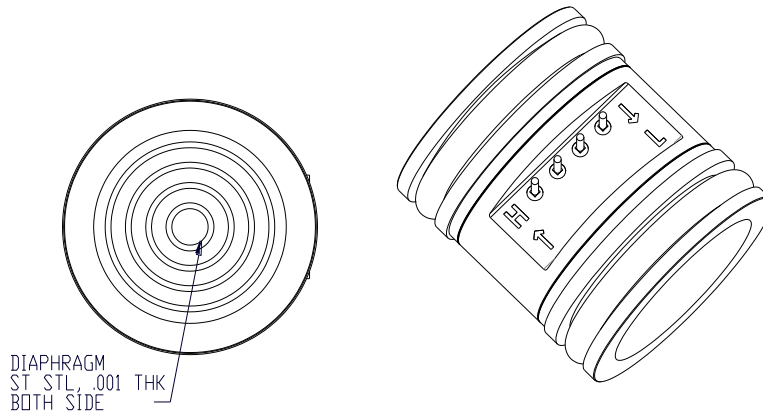
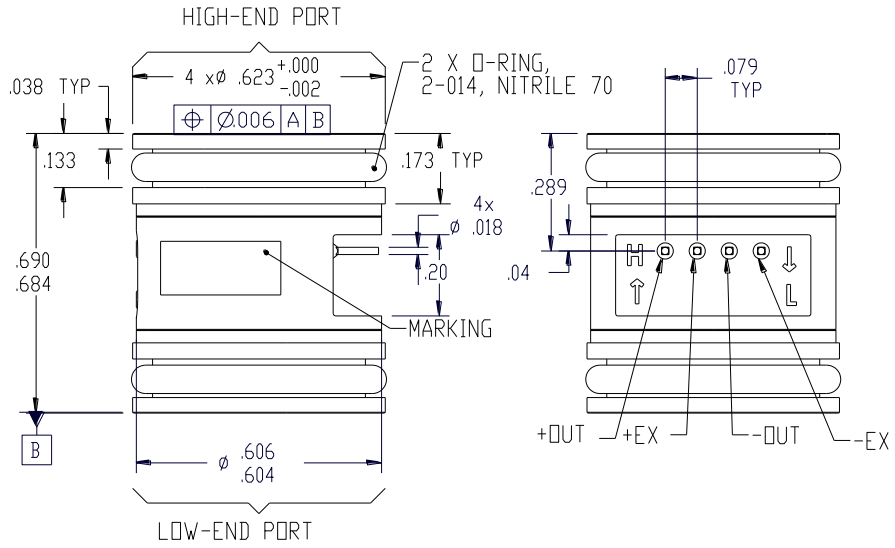
1. Measured at ambient.
2. Best fit straight line
3. Over the compensated temperature range with respect to 25°C.
4. Guarantees output/input ratiometricity.
5. Load resistance to reduce measurement errors due to output loading.
6. Between case and sensing element.
7. For “H” (high-end) port, rated or 1000psi whichever is less. For “L” (low-end) port rated or 150psi whichever is less. The maximum pressure that can be applied to a transducer without rupture of either the sensing element or transducer.
8. Maximum temperature range for product with standard cable and connector is -20°C to +105°C.

DP86

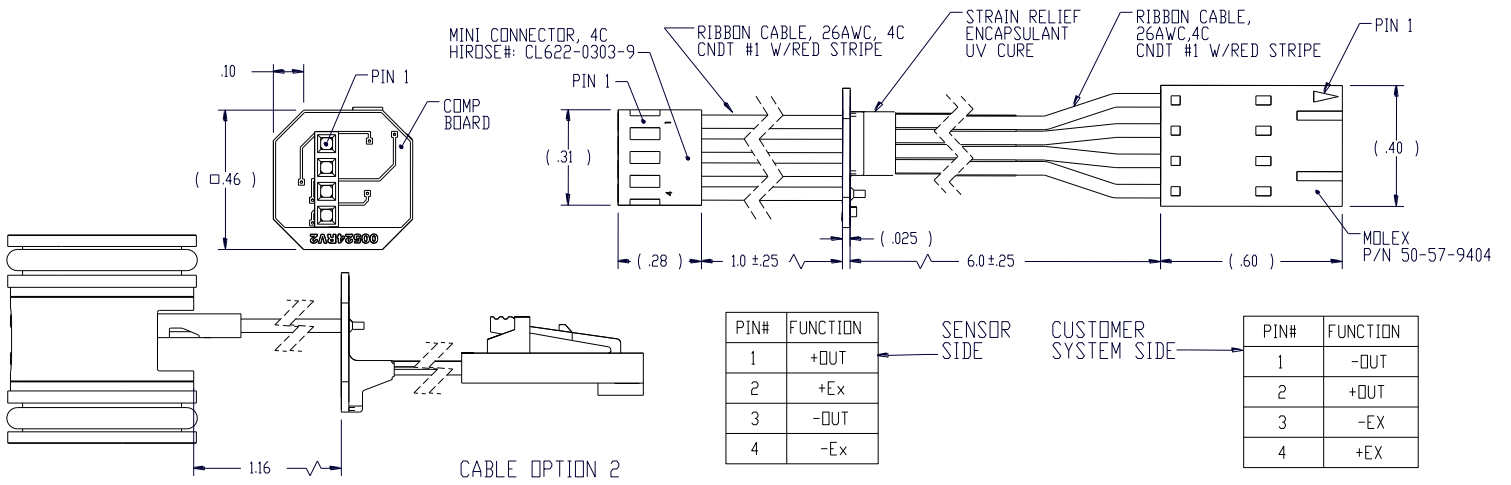
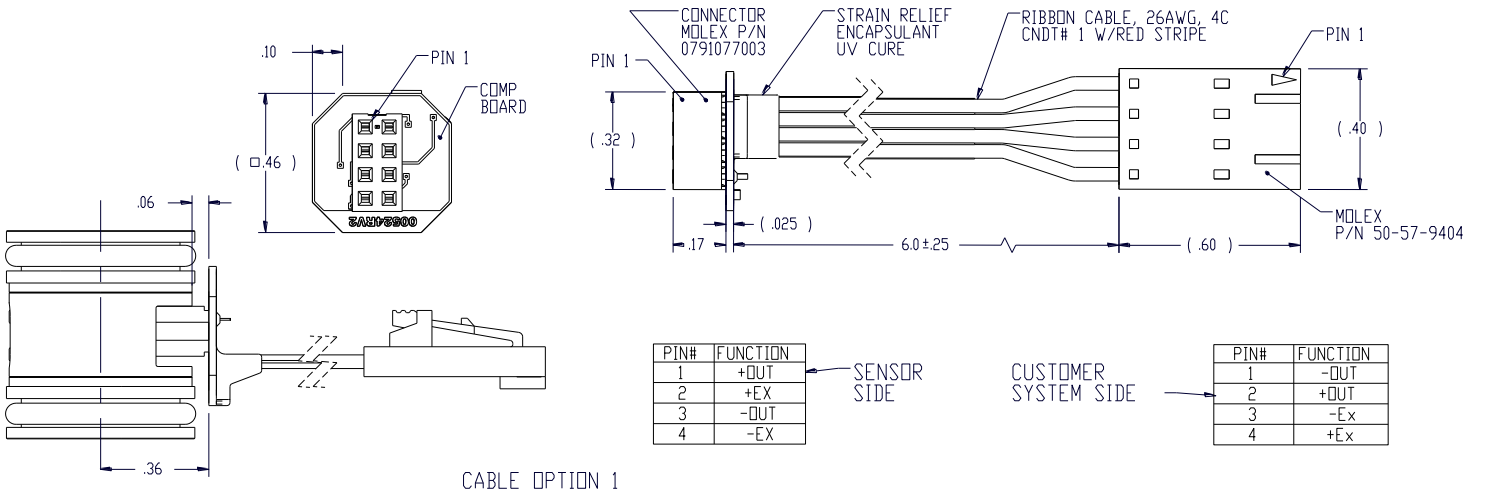
Constant Voltage with Cable

DIMENSIONS

Dimensions are in inches [mm]



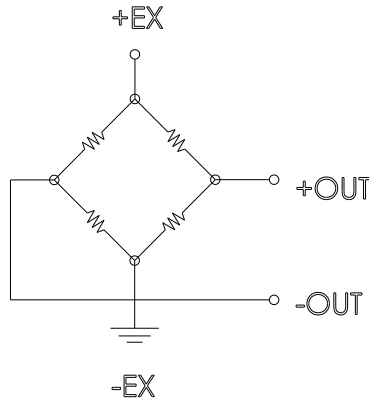
Dimensions are in inches [mm]



DP86

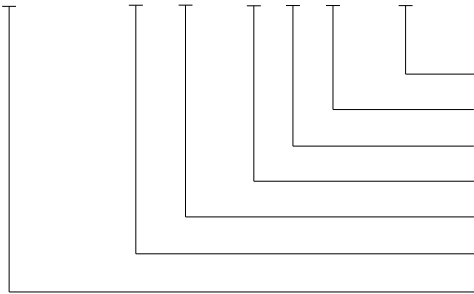
Constant Voltage with Cable

CONNECTIONS



ORDERING INFORMATION

DP86 - 015P - 0 V R - 1



Cable (1 = No Cable on Pin Side, 2 = 1" Cable on Pin Side)
Electrical (C = Ribbon Cable with Connector, R = Ribbon Cable)
Type (V = Constant Voltage, Compensated)
Fitting (Weldable, No Fitting)
Unit (P = psi, B = Bar)
Pressure Range
Model

NORTH AMERICA

Measurement Specialties, Inc.,
a TE Connectivity Company
45738 Northport Loop West
Fremont, CA 94538
Tel: 1-800-767-1888
Fax: 1-510-498-1578
Sales: pfg.cs.amer@meas-spec.com

EUROPE

Measurement Specialties (Europe), Ltd.,
a TE Connectivity Company
26 Rue des Dames
78340 Les Clayes-sous-Bois, France
Tel: +33 (0) 130 79 33 00
Fax: +33 (0) 134 81 03 59
Sales: pfg.cs.emea@meas-spec.com

ASIA

Measurement Specialties (China), Ltd.,
a TE Connectivity Company
No. 26 Langshan Road
Shenzhen High-Tech Park (North)
Nanshan District, Shenzhen 518057
China
Tel: +86 755 3330 5088
Fax: +86 755 3330 5099
Sales: pfg.cs.asia@meas-spec.com

TE.com/sensorsolutions

Measurement Specialties, Inc., a TE Connectivity company.

Measurement Specialties, TE Connectivity, TE Connectivity (logo) and EVERY CONNECTION COUNTS are trademarks. All other logos, products and/or company names referred to herein might be trademarks of their respective owners.

The information given herein, including drawings, illustrations and schematics which are intended for illustration purposes only, is believed to be reliable. However, TE Connectivity makes no warranties as to its accuracy or completeness and disclaims any liability in connection with its use. TE Connectivity's obligations shall only be as set forth in TE Connectivity's Standard Terms and Conditions of Sale for this product and in no case will TE Connectivity be liable for any incidental, indirect or consequential damages arising out of the sale, resale, use or misuse of the product. Users of TE Connectivity products should make their own evaluation to determine the suitability of each such product for the specific application.

© 2015 TE Connectivity Ltd. family of companies All Rights Reserved.