

FEATURES

- High stiffness
- Accuracy : 0.1% F.S.
- Integrated Amplifier optional
- IP 64 protected

APPLICATIONS

- Lifetime test benches
- Dynamic fatigue testing
- Robotics and Effectors
- Laboratory and Research
- Pneumatic cylinder monitoring

FN3060

Load Cell for Fatigue Testing

SPECIFICATIONS

- **S-Beam load cell**
- **Ranges 250 N to 2500 N (50 lbf to 500 lbf)**
- **Cable gland or connector output**

The **FN3060** S-beam load cell is highly suited for use in test benches and fatigue tests. Due to the mechanical design, the **FN3060** is especially durable.

High-level output models with integrated **A1/A2** amplifier are available. Sensor can all be supplied in higher temperature range for fatigue tests in oven.

With many years of experience as a designer and manufacturer of sensors, TE CONNECTIVITY often works with customers to design or customize sensors for specific uses and testing environments.

On request, Instruction documents can be provided to ease the selection and use of our sensors and provide helpful tips.

STANDARD RANGES

Ranges in N	250	500	1k	2.5k
Ranges in lbf	50	100	200	500
Stiffness in N/m	8×10^6	1.5×10^7	2.5×10^7	5×10^7
Stiffness in lbf/ft	5.5×10^5	1.0×10^6	1.7×10^6	3.4×10^6

PERFORMANCE SPECIFICATIONS (typical values at temperature 23±3°C)

Parameters	
Operating Temperature Range (OTR)	-20 to 80° C [-4 to 176° F]
Compensated Temperature Range (CTR)	0 to 60° C [32 to 140° F]
Zero Shift in CTR	<0.5% F.S. / 50° C [/100° F]
Sensitivity Shift in CTR	<1% of reading / 50° C [/100° F]
Over-Range	
Without Damage	1.5 x F.S.
Without Destruction	3 x F.S.
Accuracy	
Combined non-linearity & hysteresis	≤±0.1% F.S.

Electrical Characteristics

Model	FN3060	FN3060-A1	FN3060-A2
Supply Voltage	10Vdc	10 to 30Vdc	±15Vdc (±12 to ±18Vdc)
Sensitivity "FSO" ⁴	±2mV/V	±2V ±0.2V	±5V ±0.2V
Zero Offset ⁴	±5% F.S.	2.5V ±0.2V	0V ±0.2V
Input Impedance/Consumption	350 to 700Ω	<50mA	50mA
Output Impedance	350 to 700Ω	1 kΩ ⁵	1 kΩ ⁵
Insulation under 50Vdc	≥100MΩ	≥100MΩ	≥100MΩ

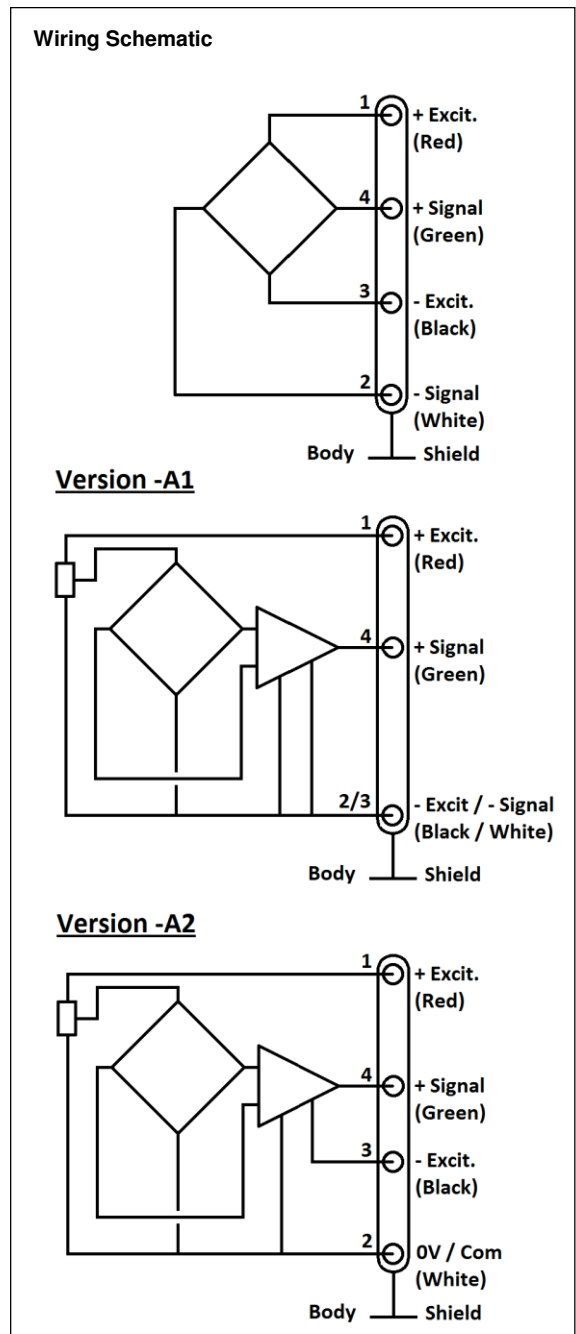
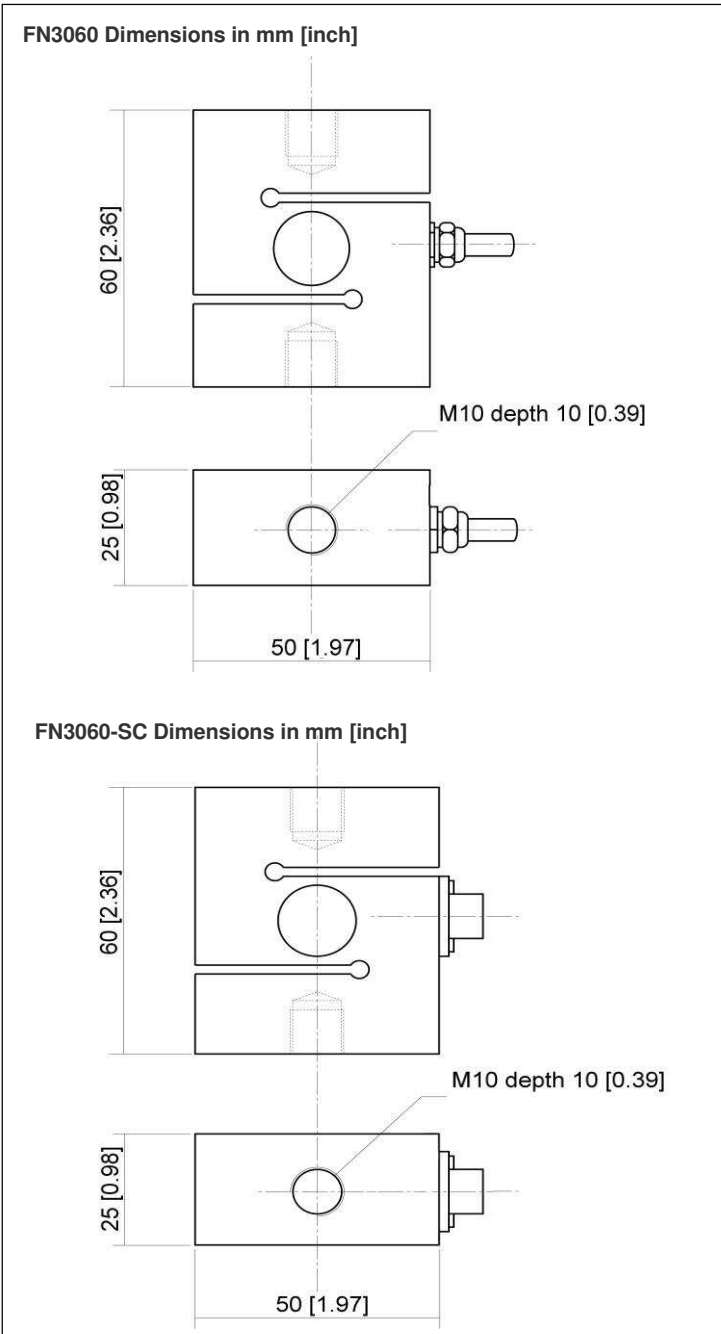
Notes

1. Electrical Termination: Cable gland termination; 2 m cable length standard
2. Material: Body aluminum alloy depending on F.S.
3. Protection Index: IP64
4. Other signal output on request
5. Output impedance < 100Ω on request
6. CE conformance according to EN 61010-1, EN 50081-1, EN 50082-1

FN3060

Load Cell for Fatigue Testing

DIMENSIONS & WIRING SCHEMATIC (IN METRIC AND IMPERIAL)



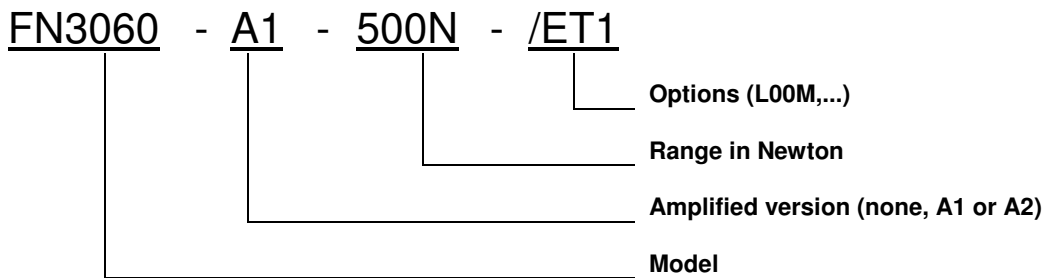
FN3060

Load Cell for Fatigue Testing

OPTIONS

A1 : Amplified Tension output with unipolar power supply
A2 : Amplified Tension output with bipolar power supply
ET1 : CTR -20 to 100° C OTR = CTR
ET2 : CTR -40 to 120° C OTR = CTR
SC : Connector output
L00M : special cable length, replace "00" with total length in meters

ORDERING INFORMATION



SUPPLIED ACCESSOIRES (ONLY WITH SC OPTION)

EFMX-4M : mating plug Jaeger 530-801-006 with clamp 530-841-006 standard and ET1 with SC option
EFMX-4H : mating plug Jaeger 530-804-006 with clamp 530-844-006 for ET2 option with SC option

NORTH AMERICA

Measurement Specialties, Inc.,
a TE Connectivity Company
Vibration Design Center
32 Journey - Suite 150
Aliso Viejo, CA 92656
United States USA
Tel: 1-949-716-0877
Fax: 1-949-916-5677
t&m@meas-spec.com

EUROPE

Measurement Specialties (Europe), Ltd.,
a TE Connectivity Company
26 Rue des Dames
78340 Les Clayes-Sous-Bois, France
Tel: +33 (0) 130 79 33 00
Fax: +33 (0) 134 81 03 59
cs.lcsb@meas-spec.com

ASIA

Measurement Specialties (China), Ltd.,
a TE Connectivity Company
No. 26 Langshan Road
Shenzhen High-Tech Park (North)
Nanshan District, Shenzhen 518057
China
Phone: +86-755-33305088
Fax: +86-755-33305099
pfg.cs.asia@meas-spec.com

TE.com/sensorsolutions

Measurement Specialties, Inc., a TE Connectivity company.

Measurement Specialties, TE Connectivity, TE Connectivity (logo) and EVERY CONNECTION COUNTS are trademarks. All other logos, products and/or company names referred to herein might be trademarks of their respective owners.

The information given herein, including drawings, illustrations and schematics which are intended for illustration purposes only, is believed to be reliable. However, TE Connectivity makes no warranties as to its accuracy or completeness and disclaims any liability in connection with its use. TE Connectivity's obligations shall only be as set forth in TE Connectivity's Standard Terms and Conditions of Sale for this product and in no case will TE Connectivity be liable for any incidental, indirect or consequential damages arising out of the sale, resale, use or misuse of the product. Users of TE Connectivity products should make their own evaluation to determine the suitability of each such product for the specific application.

© 2015 TE Connectivity Ltd. family of companies All Rights Reserved.