

# 1/4" – 2" (DN 8 – 50) SERIES 5H HIGH-PRESSURE SCREWED-END BALL VALVES

The Jamesbury® Value-Line® Series 5H ball valve is a screwed-end valve designed specifically for handling a wide range of fluids and gases at higher pressures. It incorporates a unique flexible-lip seat design to provide long-lasting tight shut-off at pressures to 4500 psi (310 bar) in sizes 1/4" – 1" (DN 8 – 25) and 3000 psi (206 bar) in sizes 1-1/4" – 2" (DN 32 – 50).

## FEATURES

### Bubble-Tight Shut-Off

- Bubble-tight shut-off exceeds ANSI/FCI 70-2 Class VI leakage.
- Time-tested Double-Seal® seat design uses a unique flexible-lip seat to seal against the ball and provide long-lasting shut-off in either direction.



### Easy Automation

- Rugged valve/actuator linkage supports up to 200 lb. (91 kg) loads in any direction without causing actuator misalignment and consequent stem-seal leakage.
- Advanced linkage design permits actuators to be mounted to installed valves without removing any body bolts.

### Lockable Handle

- A slide-lock lever handle is supplied on all manual Series 5H valves as standard equipment.

### Variety of Accessories Available

- In addition to a locking lever handle supplied on all manual Series 5H valves as standard, accessory options include stem extensions and round handles.

### Single Source Responsibility

- Valves, actuators, and accessories may be purchased completely mounted from one source.



## SPECIFICATIONS

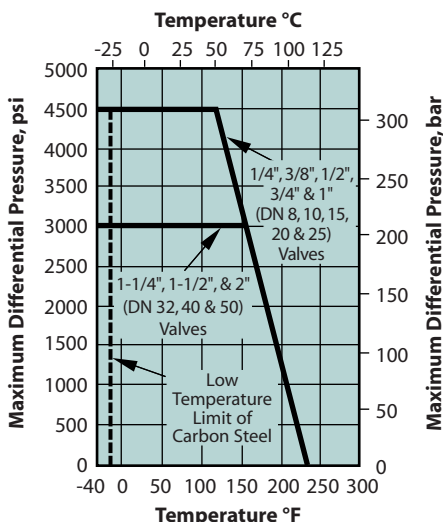
### Flow Data

The tables below provide flow coefficients of Series 5H valves. The  $C_v$  values represent the flow of water at +60°F through the valve in gallons per minute at a pressure drop of 1 psi. The metric equivalent,  $K_v$ , is the flow of water at 16°C through the valve in  $m^3/hr$  at a pressure drop of 1 kg/cm. To convert  $C_v$  to  $K_v$ , multiply by 0.8569.

Valve Size Inches	Valve Size DN	$C_v$
1/4	8	6
3/8	10	10
1/2	15	13
3/4	20	44
1	25	44
1-1/4	32	46
1-1/2	40	95
2	50	111

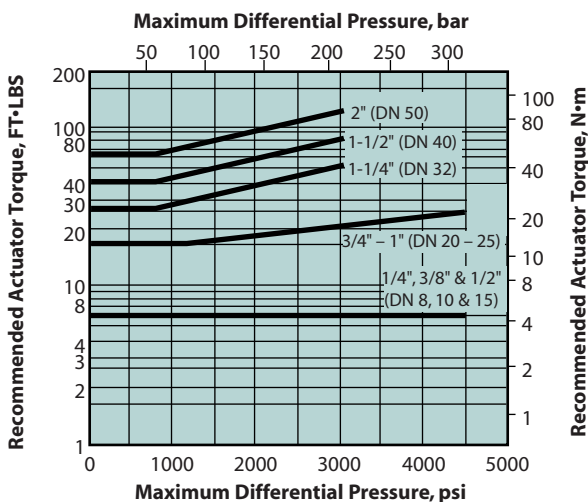
### Seat Ratings

Seat ratings are based on differential pressure with the valve ball in the fully closed position. Valves in carbon steel are rated to -20°F (-29°C). Valves in 316 stainless steel are rated to -40°F (-40°C).



**Series 5H Seat Rating Torque Data**

This torque chart is to be used as a guide for actuator selection. Additional requirements may be imposed by media characteristics, trim and frequency of valve operation. For clean lubrication fluid service, required torque may be reduced by 20%. For difficult services such as slurries and semi-solids increase values by 50%. If in doubt, select the next larger actuator.



### Body Ratings

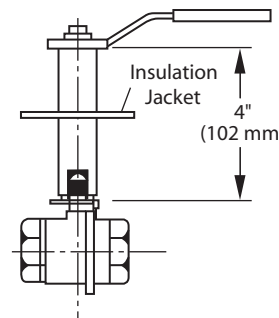
These are the maximum working pressure ratings for the valve body only. The seat ratings determine the practical pressure limitation in actual working pressure. The ratings are at -20°F to +100°F (-29°C to +38°C).

Valve Size inches	Carbon Steel, 316 Stainless Steel Body Ratings – psi
1/4 – 1	4500 psi Working pressure
1-1/4 – 2	3000 psi Working pressure

Valve Size DN	Carbon Steel, 316 Stainless Steel Body Ratings – bar
8 – 25	310 bar Working pressure
32 – 50	206 bar Working pressure

### Stem Extensions

A standard 4" (102 mm) stem extension is offered for 1/4" – 1-1/4" (DN 8 – 32) Series 5H valves. Consult the factory for stem extensions on 1-1/2" & 2" (DN 40 & 50) valves.

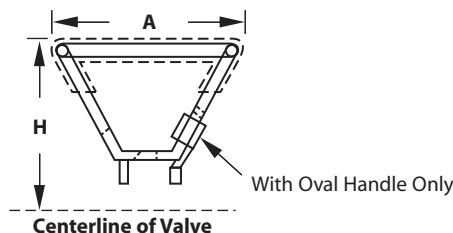


Valve Size Inches (DN)	Kit Number
1/4" – 1/2" (DN 8 – 15)	SE-072
3/4" – 1-1/4" (DN 20 – 32)	SE-073

### Optional Handles

The Series 5H ball valves have optional handles available: a round handle (non-locking), an oval handle, and an extra-long lever handle. To order handles separately, specify the following part number:

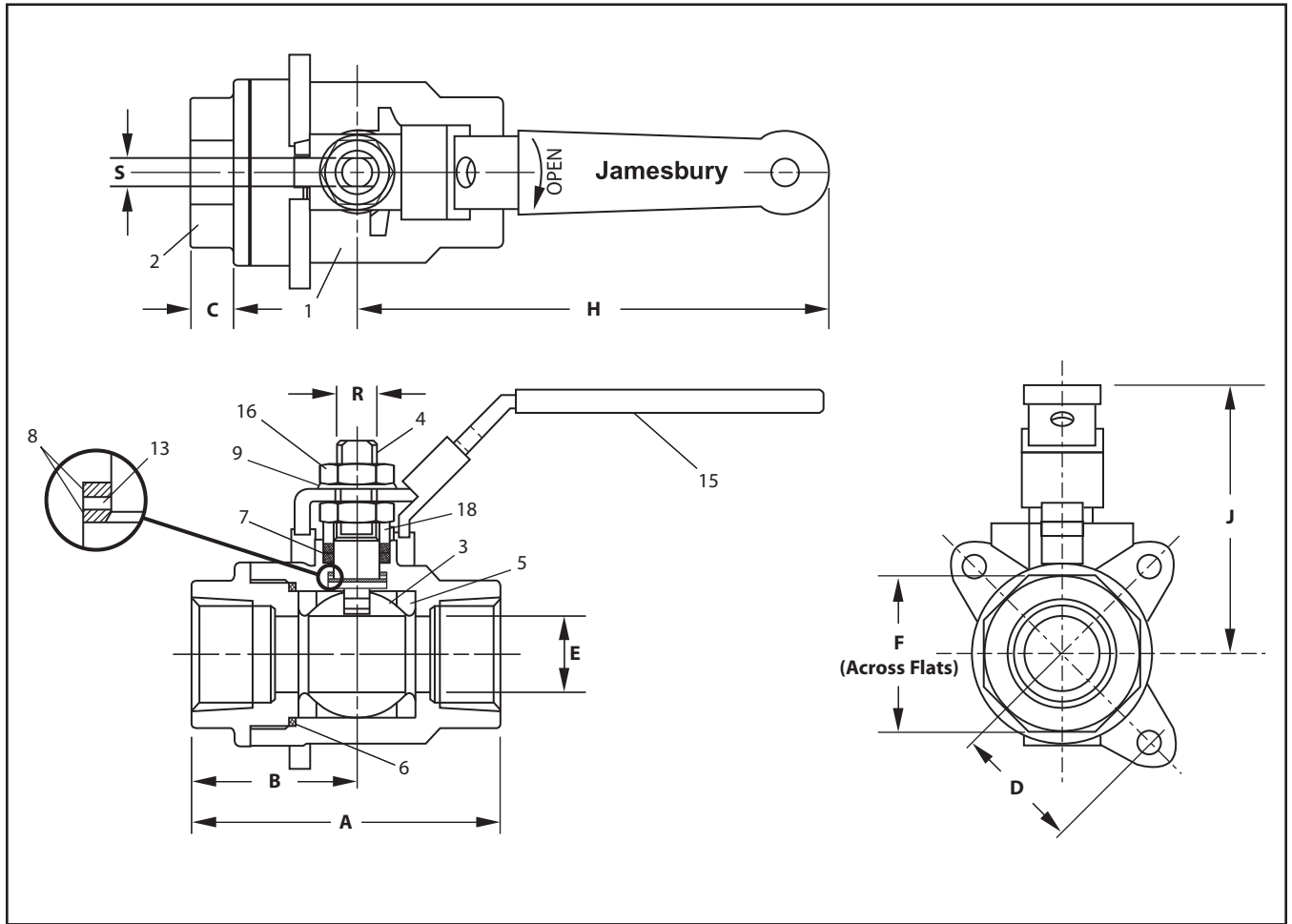
Handle Type	1/4" – 1/2" (DN 8 – 15)	3/4" – 1-1/4" (DN 20 – 32)	1-1/2" – 2" (DN 40 – 50)
Round Handles	012-0785-22	012-0786-22	—
Lockable Oval Handles	012-0794-22	012-0795-22	—
12" Long Lockable Lever Handles			012-0822-30



Valve Size inches	Oval and Round Handle Dimensions, inches	
	A	H
1/4 & 1/2	3.35	2.82
3/4	4.64	3.49
1	4.64	3.62
1-1/4	5.87	4.20

Valve Size DN	Oval and Round Handle Dimensions, mm	
	A	H
8 & 15	85	72
20	118	89
25	118	92
32	149	107

**DIMENSIONS**



Valve Size Inches	Approximate Dimensions – inches										Approx. Weight, lb
	A	B	C	D	E	F	H	J	R	S	
1/4	2.73	1.55	0.50	1.03	0.45	1.00	4.00	2.26	0.31	0.19	0.9
3/8	2.73	1.55	0.50	1.03	0.50	1.00	4.00	2.26	0.31	0.19	1.0
1/2	2.73	1.55	0.50	1.03	0.50	1.25	4.00	2.26	0.31	0.19	1.1
3/4	3.50	1.92	0.50	1.38	0.88	1.63	5.50	3.10	0.50	0.31	2.7
1	3.60	1.92	0.50	1.38	0.88	1.75	5.50	3.10	0.50	0.31	2.8
1-1/4	3.93	2.10	0.56	1.63	1.00	2.00	5.50	3.23	0.50	0.31	3.7
1-1/2	4.55	2.47	0.75	1.88	1.25	2.38	7.00†	3.93	0.63	0.38	5.0
2	4.94	2.66	0.75	2.12	1.50	2.88	7.00†	4.12	0.63	0.38	6.8

Valve Size DN	Approximate Dimensions – mm										Approx. Weight, kg
	A	B	C	D	E	F	H	J	R	S	
8	65	39	13	26	11	25	102	57	8	5	0.41
10	65	39	13	26	13	25	102	57	8	5	0.45
15	65	39	13	26	13	32	102	57	8	5	9.5
20	89	49	13	35	22	41	140	79	13	8	1.2
25	92	49	13	35	22	44	140	79	13	8	1.3
32	100	53	14	41	25	51	140	82	13	8	1.7
40	116	63	19	48	32	60	178†	100	16	10	2.3
50	126	67	19	54	38	73	178†	105	16	10	3.1

† Optional 12" (305 mm) handle available.

**WARNING:** As the use of the valve is application specific, a number of factors should be taken into account when selecting a valve for a given application. Therefore, some of the situations in which the valves are used are outside the scope of this manual. If you have any questions concerning the use, application, or compatibility of the valve with the intended service, contact Metso Automation for more information.

### BILL OF MATERIAL AND PARTS LIST

Part No.	Part Name	Carbon Steel (22)	316 Stainless Steel (36)
1	Body	Carbon steel	316 Stainless steel
2	Body Cap	Carbon steel	316 Stainless steel
3	Ball	316 Stainless steel	
4	Stem	17-4PH Stainless steel	
5	Seat	Acetal Homopolymer	
6	Body Seal	PTFE	
7	Stem Seal	PTFE	
8	Stem Bearing	Delrin 100 AF	
9	Shakeproof Washer	Carbon steel	304 Stainless steel
13	Secondary Stem Seal	Graphite	
15	Handle	Carbon steel	304 Stainless steel
16	Stem Nut	304 Stainless steel	
18	Compression Ring	304 Stainless steel	

### HOW TO ORDER

To specify a Series 5H high-pressure ball valve, simply make a selection from each of the boxes below.

1	2	3	4	5
2"	5H	—	22HB	RT

**Example:** The example above is for a 2" (DN 50) series 5H high-pressure screwed-end ball valve constructed of carbon steel body, 316 stainless steel ball, 17-4PH stainless steel stem, Acetal seats, and PTFE seals.

1	Size							
inches	1/4	3/8	1/2	3/4	1	1-1/4	1-1/2	2
DN	8	10	15	20	25	32	40	50

2	Valve Style
5H	High-pressure screwed-end ball valve

3	Special Construction (Optional)
—	Standard (no entry)

4	Body/Ball/Stem Material
22HB	Carbon steel body/316 stainless steel ball/17-4PH stem
36HB	316 stainless steel body and ball/ 17-4PH stem

5	Seat/Seal Material
RT <sup>1</sup>	Acetal Homopolymer seats/PTFE seals

Delrin is a registered trademark of E.I. DuPont Co.

<sup>1</sup> Not a self-relieving seat design

Subject to change without prior notice.

#### Metso Automation Inc.

Europe, Vanha Porvoontie 229, P.O. Box 304, FI-01301 Vantaa, Finland.  
Tel. +358 20 483 150. Fax +358 20 483 151

North America, 44 Bowditch Drive, P.O. Box 8044, Shrewsbury, MA 01545, USA.  
Tel. +1 508 852 0200. Fax +1 508 852 8172

South America, Av. Independência, 2500- Iporanga, 18087-101, Sorocaba-São Paulo  
Brazil. Tel. +55 15 2102 9700. Fax +55 15 2102 9748/49

Asia Pacific, Haw Par Centre No. 06-01, 180 Clemenceau Avenue, 239922 Singapore, Singapore.  
Tel. +65 6511 1011. Fax +65 6250 0830

China, 19/F, the Exchange Beijing, No. 118, Jianguo Lu Yi, Chaoyang Dist, 100022 Beijing, China.  
Tel. +86-10-6566-6600. Fax +86-10-6566-2575

Middle East, Roundabout 8, Unit AB-07, P.O. Box 17175, Jebel Ali Freezone, Dubai,  
United Arab Emirates. Tel. +971 4 883 6974. Fax +971 4 883 6836

[www.metso.com/valves](http://www.metso.com/valves)

