

# JAMESBURY® ELECTRIC ACTUATORS VALVCON® ADC-SERIES WITH OPTIONAL BATTERY BACK-UP POWER

Metso is a leading designer and provider of *Valvcon* compact, reliable, electronically controlled electric actuators for valves and dampers. We offer a complete line of electric actuators for accurate positioning of dampers and valves in the aerospace, automotive, consumer services, discrete manufacturing, energy, environmental, oil/pipeline, petrochemical, power/utilities, process, recreation, transportation, and water/wastewater industries.

We have developed and introduced the industry's most innovative *Valvcon* electric actuator products, including simple "set and go" calibration, intelligent processor-based digital electronics, "Plug-in" accessory boards, Back-Up Power actuators, as well as electric actuators designed for remote control, solar-powered applications and two-wire network applications.

## SPECIFICATIONS

The quarter-turn electric actuator complies with Part 15, Class A of the FCC regulations for emissions and conducted radiation for industrial devices. It meets NEMA standards for use in weathertight or weather-tight and hazardous locations. The actuator is a single, complete unit composed of a compact cast aluminum housing, motor, gearing, limit switches controlled by metal cams for end of travel control, mechanical position indicator, and an optional internal back-up power source to drive to a pre-set position in the event of an external power loss. Actuator mounting flanges comply with ISO 5211 standards incorporating a female drive for direct output coupling. The actuator is capable of operating in ambient environments of -40° F to 130° F.



## FEATURES AND BENEFITS

### Isolation and Electrical

Internal electronic control board has clearly marked connection terminals for Power and Control Signals to prevent incorrect wiring and provides CW and CCW push buttons for local manual control. The actuator control electronics are electrically isolated to allow multiple actuators to be wired in parallel. Electronic control board is protected on the outward side with an insulating overlay providing terminal locations and additional safety. Additionally, the electronic control board includes a simple user-interface, consisting of slide switches and selection pots for mode selection, calibration, and set up. The electronic control board supplies a 4-20mA or 0-10VDC position feedback signal, includes a holding brake feature to prevent back-driving, a heater and thermostat for low-temperature or high-humidity applications, and two auxiliary limit switches for indication. All internal connections, (motor leads, limit switch leads, etc.) are coded, using different style connectors for each function, to prevent incorrect wiring. All connections plug-in to simplify field repairs and upgrades. In AC line applications a highly reliable switching power supply provides power conversion to drive the internal brushless DC motor; in low-voltage applications the board provides the necessary conversion to drive the motor. Other than periodic replacement of the optional back-up battery; no maintenance is required.

## Motor

The brushless DC motor is capable of running continuously at full torque at ambient temperature at or below 104° F.

## Lubrication

All rotating power train components are coated with a multi-purpose grease. Lubricants are suitable for ambient conditions of -40° F to 130° F.

## Gearing

The powertrain is comprised of hardened steel, machine cut spur gears. Non-metallic, aluminum, cast or stamped gearing is not used.

## Limit Switches

Actuators have two single pole double throw end-of-travel switches, rated for 11 amps at 250 VAC. During normal, (Smart Limit) operation the end-of-travel limit switches will not be activated; activating the limit switches will interrupt actuator travel. If utilizing the Cam Limit type, the end-of-travel cams will define the full CW and full CCW stop positions. Two additional SPDT limit switches are included for position indication purposes. The auxiliary switches are fully adjustable to operate at any position, as required by the process application, providing end-of-travel indication.

## On/Off Control (Open/Close Operation) or Proportional Control (Modulating Operation) with Optional Battery Back-Up

The actuator can be configured for either On/Off or Modulating operation.

### On/Off Control (Open/Close Operation):

ADC-Series actuators can be configured for Open/Close operation requiring separate Power and Control signals. The Power signal must be constantly maintained; The Control signal consists of one to three maintained AC or DC contacts and the actuator can be set to operate in Two-wire, Three-wire or Three-position modes. In Two-wire CW mode a signal is maintained to drive the actuator to the CW position and removed to drive to the CCW position. In Two-wire CCW mode a signal is maintained to drive the actuator to the CCW position and removed to drive to the CW position. In Three-wire mode separate Control signals are applied to drive the actuator to the CW and CCW positions and may be removed at any point in mid-stroke to position the valve or damper. Three-wire mode may be configured for Three-position operation, whereby separate Control signals are applied to drive the actuator to the CW, "MID" or CCW positions and may be removed at any point in mid-stroke to position the valve or damper.

### Position Control (Modulating Operation):

ADC-Series actuators can be configured for Modulating operation in which they will accept a variable, proportional 4-20mA or 0-10VDC valve position signal and respond by positioning the valve proportionately with an accuracy of 1%. Normally, the actuator drives clockwise in response to a decreasing control signal; however, the actuator is capable of "reverse acting" operation (driving counter-clockwise in response to a decreasing control signal) without internal wiring changes. The actuator also accepts a resistance valve position signal, i.e. 0-135 Ohms, directly with simple board configuration adjustments. The actuator also provides the ability to adjust the sensitivity to control signal changes. Slide switches enable the user to set the actuator response to a loss of control signal, select the "fail" position upon loss of Power and select either the single cycle or multi-cycle loss of power mode (when equipped with the optional battery back-up). Locked rotor, stall protection initiates whenever the actuator is unable to achieve the position commanded by the control signal, and terminates power to the motor in order to prevent damage due to prolonged/repeated stall conditions.

### Optional Internal Battery Back-Up

With the optional battery back-up feature, immediately upon loss of the Power signal, the internal battery will drive the actuator to the Power Fail Position. The Power Fail Position may be either the full CW, the full CCW or "MID" position and is determined by the Power Fail Position selection pot.

### Break-away Torque

Designed for efficiency and reliability, all *Valvcon* actuators deliver the power you need when and where it is needed. With efficient gear trains and motors these actuators are rated at breakaway torque. Immediately upon power up, the actuator supplies the rated torque — when it is needed to break the valve away from its seat. Other manufacturer's actuators may be rated at running torque, but actually deliver significantly less breakaway torque.

### ADC-SERIES ENCLOSURE

#### Mounting Flange, ISO 5211 F05/ F07

4 X M6-1.0  $\nabla$  0.75 MIN.  
ON 1.969" B.C.

Female Square Drive

4 X M8-1.25  $\nabla$  0.75 MIN.  
ON  $\varnothing$  2.756" B.C.

Female Keyed Drive

Actuator Size	Drive Option	Drive Type	Drive Size	Depth
150-600 lb-in (12-50 lb-ft; 17-68 Nm)	Standard	Square	0.750 (19mm)	0.90 (22.9mm)
150-600 lb-in (12-50 lb-ft; 17-68 Nm)	Option "I"	Square	0.551 (14mm)	0.90 (22.9mm)
150-600 lb-in (12-50 lb-ft; 17-68 Nm)	Option "Y"	Keyed	0.591 (15mm)	1.40 (35.6mm)

Approximate Weight    17 lb / 8 kg

All Dimensions in inches unless otherwise stated

### LADC-SERIES ENCLOSURE

#### Mounting Flange, ISO 5211 F07/F10

4 X M8-1.25  $\nabla$  0.75" MIN.  
ON  $\varnothing$  2.756" B. C.

Female Square Drive

4 X M10-1.5  $\nabla$  0.75" MIN.  
ON  $\varnothing$  4.016" B.C.

Female Keyed Drive

Actuator Size	Drive Option	Drive Type	Drive Size	Depth
1000-3000 lb-in (83-250 lb-ft; 113-339 Nm)	Standard	Square	1.000 (25mm)	1.20 (30.5mm)
1000 lb-in (83 lb-ft; 113 Nm)	Option "I"	Square	0.748 (19mm)	1.20 (30.5mm)
1500-3000 lb-in (125-250 lb-ft; 169-339 Nm)	Option "I"	Square	0.866 (22mm)	1.20 (30.5mm)
1000-3000 lb-in (83-250 lb-ft; 113-339 Nm)	Option "Y"	Keyed	0.787 (20mm)	1.50 (38.1mm)

Approximate Weight    31 lb / 14 kg

All Dimensions in inches unless otherwise stated

ALL DIMENSIONS IN INCHES

### ADC-SERIES FEATURES AT A GLANCE!

- Universal Input Power – Actuator accepts 24/115/230AC and 12/24DC
- Universal Control – On/Off or Modulating from the same package
- Included Heater/Thermostat Feature – Can be enabled for “low-temp” use, “humidity control” use, or disabled to reduce power consumption.
- Optional internal battery packs allow for continued operation during power outages, provided the control signal remains.
- Field-settable for “fail clockwise” or “fail counter-clockwise”, or “fail” to a mid-travel position.
- CSA (C US) Certification and CE Compliance
- Proven technology provides optional battery back-up capabilities within the standard size actuator enclosures
- Dual conduit openings make wiring easier, and keep power and control wiring separate.
- Replacement battery for units equipped with battery back-up is commercially available (it is recommended that the battery is replaced every two years).
- Two year warranty.



Enclosure Ingress Protection (IP) Rating: 66  
 Facility: ISO 9001:2008 certified  
 Compliance with the following international standards: ISO 5211, EN60079-0:2012 (WX models only), EN60079-1:2007 (WX models only), IEC 60079-0:2011, 6th Ed. and IEC 60079-1:2007, 6th Ed.

### ADC-SERIES SPECIFICATIONS

#### Battery Back-up Power (Optional)

Valvcon ADC-Series electric actuators, equipped with internal battery power, allow you to shut down your system in the event of an external power loss. Engineered to supply dependable valve actuation, they can provide up to 10 complete cycles under their own internal power.

The electronic back-up powered feature incorporates a rechargeable battery pack that plugs right in to the PC board under the actuator cover. Upon power loss, the battery pack is automatically activated as the main power supply. The battery is compact and fits easily into the standard enclosures for an easy, space-saving upgrade. No hard-wiring or other complex operations are required.

Valvcon ADC-Series battery back-up actuators can be configured for continuous-duty on/off (open/close) or modulating operation.

- Internal battery allows for continued cycling during power outages, enabling an orderly shut-down of critical processes.
- A built-in trickle charger, with over-charge protection, ensures the battery always has enough power when called upon
- Battery can be easily replaced in the field and is widely available.

### ADC-SERIES DATA

Torque Output	Duty Cycle	12VDC		24VDC		24VAC		115VAC		230VAC	
		Cycle Time (sec/90°)	Current Draw (Amps)	Cycle Time (sec/90°)	Current Draw (Amps)	Cycle Time (sec/90°)	Current Draw (Amps)	Cycle Time (sec/90°)	Current Draw (Amps)	Cycle Time (sec/90°)	Current Draw (Amps)
150 lb-in; 12 lb-ft; 17 Nm	100%	11	2.2	13	1.2	8	1.8	9	0.4	9	0.4
300 lb-in; 25 lb-ft; 34 Nm	100%	17	2.5	13	1.4	12	2.1	13	0.5	13	0.4
600 lb-in; 50 lb-ft; 68 Nm	100%	17	2.8	13	1.7	13	2.5	14	0.6	14	0.5
1000 lb-in; 83 lb-ft; 113 Nm	100%	21	4	14	2.4	15	3.5	15	0.9	15	0.6
1500 lb-in; 125 lb-ft; 169 Nm	100%	40	4	24	2.4	27	3.5	29	0.9	29	0.6
2000 lb-in; 167 lb-ft; 226 Nm	100%	40	4.3	33	2.4	28	3.5	29	0.9	29	0.6
2500 lb-in; 208 lb-ft; 282 Nm	100%	55	3.3	40	2	38	3.1	39	0.8	39	0.6
3000 lb-in; 250 lb-ft; 339 Nm	100%	60	3.7	42	2.2	40	3.5	42	0.8	43	0.6

## ADC-SERIES ELECTRIC ACTUATORS STANDARD FEATURES

### Heater/Thermostat

The Heater/Thermostat option can be activated by a selection potentiometer on the board. The feature can be set for low-temperature, humidity control, or turned off completely to reduce power consumption.

### Auxiliary Limit Switches

Two additional limit switches are included for position indication or as dry contacts to operate other devices. Single pole, double throw switches rated for 1/2 HP, 11 amps @ 250VAC, CSA certified.

## ADC-SERIES ELECTRIC ACTUATORS OPTIONS

### ISO 5211 Output

(Order Code I)

ISO 5211 Standard mounting configuration and output coupling.

150-600 in-lb models with "I" options are supplied with a 14mm female square. (note: without option "I" the female square is 3/4 inch).

1000 in-lb models with "I" options are supplied with a 19mm female square and 1500-3000 in-lb models are supplied with a 22 mm female square. (note: without option "I" the female square is 1inch).

### MODBUS® Communication

(Order Code MB)

The Modbus option allows for controlling, and polling the unit for diagnostic information using a Modbus communication signal; RS-485, Two-Wire (Note: a Two-Wire cross-cable connection may cause damage).

### Keyed Output

(Order Code Y)

150 - 600 in-lb actuators are supplied with a 3/4" female square output coupling; when the "Y" option is selected they are supplied with a 15mm female keyed output.

1000 - 3000 in-lb models are supplied with a 1" female square output coupling; when the "Y" option is selected they are supplied with a 20mm female keyed output.

### Handwheel Override

(Order Code Z)

For manual operation when power is not available. The handwheel is disengaged from the geartrain and does not turn during normal operation. When the handwheel is pushed down, it disengages the motor from the geartrain and allows manual operation.

### Hazardous Location Enclosures

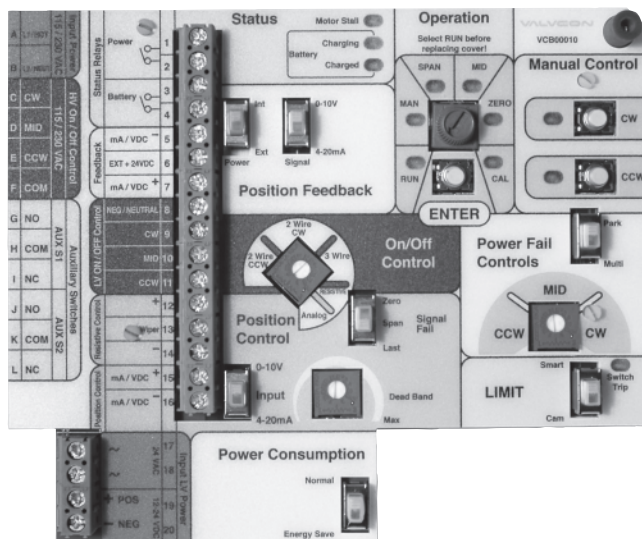
(ADCWX and LADCWX)

The standard enclosures (ADCW and LADCW) are rated for NEMA 4/4X (weather tight and corrosion resistant). The Hazardous Location enclosures (ADCWX and LADCWX) are Certified by CSA to meet NEMA 4/4X/7 & 9, Class I, Div 1, Groups C&D; Class II, Div. 1, Groups E, F, & G; Class III, and are also certified to ATEX Directive 94/9/EC; IECEx CSA 14.0057X.

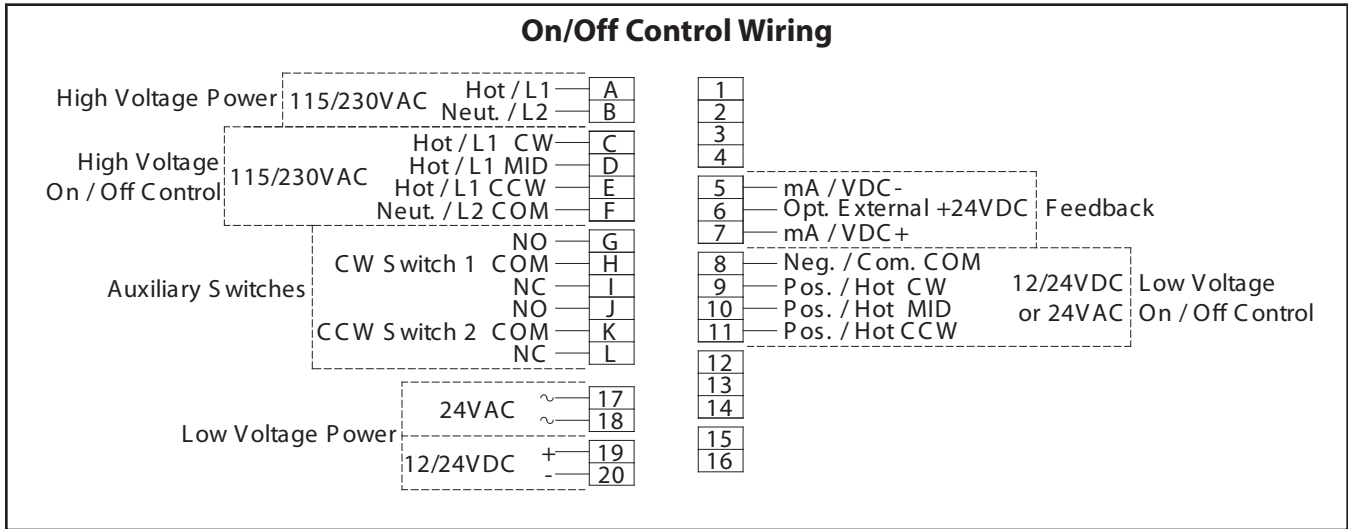
Certificate Number: **Sira 13ATEX1166X**



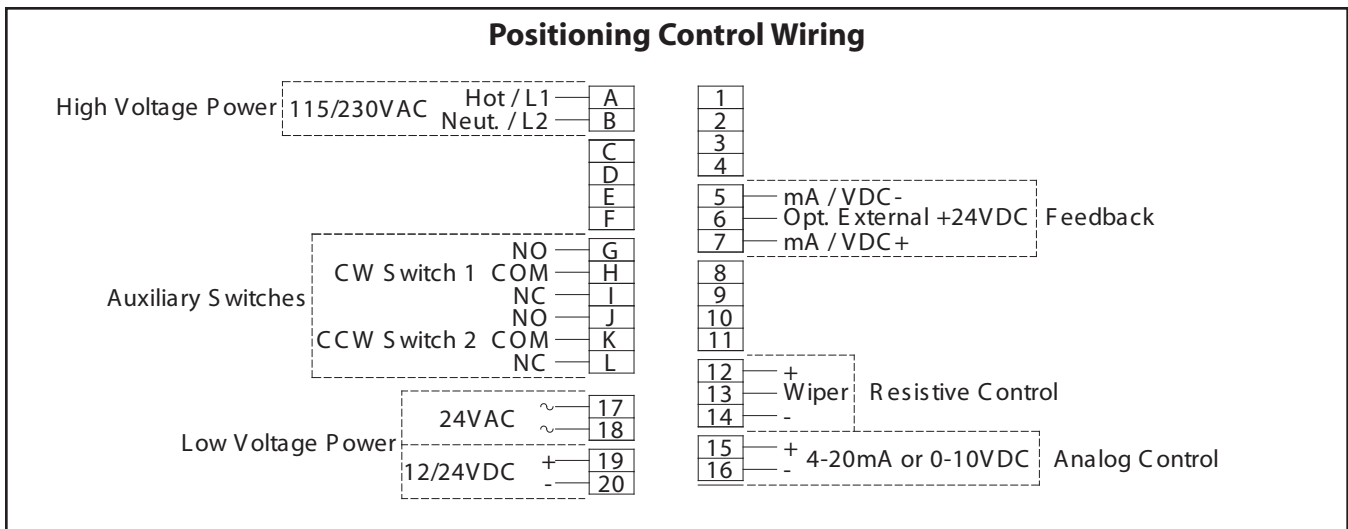
II 2 G  
Ex d IIB T6 Gb  
Ta = -20°C to +66°C



### ADC/LADC ON/OFF APPLICATIONS



### ADC/LADC MODULATING APPLICATIONS



Note: As the use of the actuator is application specific, a number of factors should be taken into account when selecting an actuator for a given application. Therefore, some of the applications in which the actuators are used are outside the scope of this document. If you have questions concerning the use, application or compatibility of the actuator with the intended service, contact Metso Flow Control for more information.

## HOW TO ORDER – ADC-SERIES ACTUATORS<sup>1</sup>

**Example:** Sample model code: ADCWX150UL2-UP

1	2	3	4	5	6
ADC	WX	150	UL2	—	-UP

1	Series
ADC	ADC

2	Enclosure
W	Weathertight (NEMA 4/4X)
WX	Weathertight & Explosionproof (NEMA 4/4X/7&9) Ex d IIB T6 Gb

3	Torque
150	150 lb-in; 12 lb-ft; 17 Nm
300	300 lb-in; 25 lb-ft; 34 Nm
600	600 lb-in; 50 lb-ft; 68 Nm

4	Options <sup>2</sup> (Must Select One)
U2	On/Off / Positioner Board
UL2	On/Off / Positioner Board with Battery Back-Up
U4	On/Off / Positioner Board 180-Degree
UL4	On/Off / Positioner Board 180-Degree w/ Battery Back-Up
U6	On/Off / Positioner Board 270-Degree
UL6	On/Off / Positioner Board 270-Degree w/ Battery Back-Up

5	Other Options
—	No entry if standard
I <sup>3</sup>	ISO 5211 Output
MB <sup>4</sup>	Modbus Communication
Y <sup>5</sup>	Keyed Output
Z	Handwheel

6	Operating Voltage
-UP	Universal Power

## HOW TO ORDER – LADC-SERIES ACTUATORS<sup>1</sup>

**Example:** Sample model code: LADCWX2000U6Z-UP

1	2	3	4	5	6
LADC	WX	2000	U6	Z	-UP

1	Series
LADC	LADC

2	Enclosure
W	Weathertight (NEMA 4/4X)
WX	Weathertight & Explosionproof (NEMA 4/4X/7&9) Ex d IIB T6 Gb

3	Torque
1000	1000 lb-in; 83 lb-ft; 113 Nm
1500	1500 lb-in; 125 lb-ft; 169 Nm
2000	2000 lb-in; 167 lb-ft; 226 Nm
2500	2500 lb-in; 208 lb-ft; 282 Nm
3000	3000 lb-in; 250 lb-ft; 339 Nm

4	Options <sup>2</sup> (Must Select One)
U2	On/Off / Positioner Board
UL3	On/Off / Positioner Board with Battery Back-Up
U4	On/Off / Positioner Board 180-Degree
UL5	On/Off / Positioner Board 180-Degree w/ Battery Back-Up
U6	On/Off / Positioner Board 270-Degree
UL7	On/Off / Positioner Board 270-Degree w/ Battery Back-Up

5	Other Options
—	No entry if standard
I <sup>3</sup>	ISO 5211 Output
MB <sup>4</sup>	Modbus Communication
Y <sup>5</sup>	Keyed Output
Z	Handwheel

6	Operating Voltage
-UP	Universal Power

### Notes:

- All ADC-Series actuators accept any of the following input voltages (12VDC, 24VDC, 24VAC, 115VAC and 230VAC), are rated for continuous duty cycle, include a holding brake, two auxiliary limit switches, 4-20mA or 0-10VDC position feedback, wrench-operated manual override, CSA "C US" certification, CE compliance, and a heater/thermostat that can be user-enabled on the option board.
- Must select only one board option; all board options can be configured for On/Off or Modulating operation.
- 150 - 600 lb-in models with I option are supplied with a 14mm female square (note that without option I the female square is 3/4"). 1000 lb-in models with I option are supplied with a 19mm female square and 1500 - 3000 lb-in models are supplied with a 22mm female square (note that without option I the female square is 1").
- The Modbus Communication option allows for controlling, and polling the unit for diagnostic information using a Modbus communication signal (RS-485; Two-Wire).
- 150 - 600 lb-in models with Y option are supplied with a 15mm female keyed output. 1000 - 3000 lb-in models with Y option are supplied with a 20mm female keyed output.

Modbus is a registered trademark of Schneider Electric USA, Inc.

## Committed to Customer Service

Metso worldwide web site: [www.metso.com/electricactuators](http://www.metso.com/electricactuators), provides 24 hour a day access to all technical support material—from sales brochures to instruction manuals to installation and troubleshooting tips. For local support, our network of trained stocking distributors/representatives are industry leading experts in valve automation. Visit the Metso, *Valvcon* product web site to locate the nearest stocking distributor/representative.

## Timely Technical Support

Metso Flow Control can answer your engineering or application questions, and quickly repair or upgrade your actuators. Our highly trained support engineers offer a broad range of expertise, with the combined experience to assist specifying engineers and contractors with information on feasibility and special applications.

## A Tradition of Quality

Metso is dedicated to producing superior-quality products that are second to none. Our development laboratory and manufacturing facilities exemplify our total commitment to producing quality products.

Subject to change without prior notice.

### Metso Flow Control

**Europe**, Vanha Porvoontie 229, P.O. Box 304, FI-01301 Vantaa, Finland.  
Tel. +358 20 483 150. Fax +358 20 483 151

**North America**, 44 Bowditch Drive, P.O. Box 8044, Shrewsbury, MA 01545, USA.  
Tel. +1 508 852 0200. Fax +1 508 852 8172

**South America**, Av. Independência, 2500- Iporanga, 18087-101, Sorocaba-São Paulo Brazil. Tel. +55 15 2102 9700. Fax +55 15 2102 9748/49

**Asia Pacific**, Haw Par Centre No. 06-01, 180 Clemenceau Avenue, 239922 Singapore, Singapore.  
Tel. +65 6511 1011. Fax +65 6250 0830

**China**, 19/F, the Exchange Beijing, No. 118, Jianguo Lu Yi, Chaoyang Dist, 100022 Beijing, China.  
Tel. +86-10-6566-6600. Fax +86-10-6566-2575

**Middle East**, Roundabout 8, Unit AB-07, P.O. Box 17175, Jebel Ali Freezone, Dubai, United Arab Emirates. Tel. +971 4 883 6974. Fax +971 4 883 6836

[www.metso.com/electricactuators](http://www.metso.com/electricactuators)

