

Figure 1057 - CSA Approved, Automatic Safety Shut-off and Vent Valves for Gas Appliances

The Jamesbury® Figure 1057 Automatic Safety Shut Off valves are CSA (Canadian Standards Association) approved to meet American National Standards Institute and CSA International Standards Specification Z21.21/CSA 6.5 Automated Valves For Gas Appliances and CGA3.9-M94 Automated Safety Shut Off Gas Valves for providing protection against hazards during operation of fuel systems or fuel burning equipment. The valves will operate quickly to isolate or vent upon loss of electrical signal, and operate to isolate or vent if the instrument air pressure is lost.

The importance of certified performance

Obtaining certification, only achievable through rigorous testing, is not only a matter of meeting industry standards and regulations, but also an assurance of quality and reliability. Metso offers unparalleled performance with its offering of certified *Jamesbury* safety shut-off and vent valves for burner management systems.

Our promise of quality and reliability

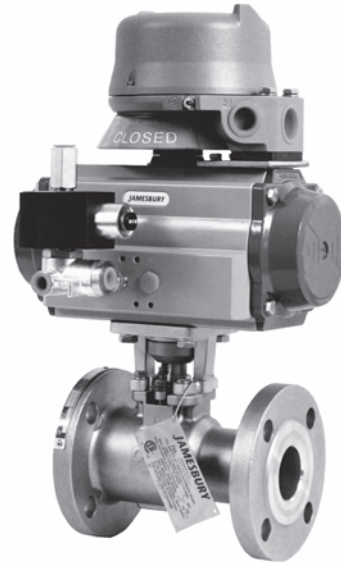
Metso certified *Jamesbury* CSA approved packages offer innovation through patented seat and seal designs, Xtreme® seat material, pneumatic actuator, limit switch and solenoid performance to maximize plant uptime.

Single Source Responsibility

All components of the Metso Figure 1057 packages, excluding pneumatic solenoid, are Metso designed and engineered products. This insures reliable, safe and worry free operation of the safety shutoff and vent valves through many years of service.

Approved Valve Models

Valves are available with threaded ends to ASME 800 in sizes 1/4" - 2" (8-50), ASME 150 and ASME 300 flanged design in sizes 1/2" - 8" (15-200) reduced bore and ASME 150 and ASME 300 flanged design in 1/2" - 6" (15-150) full bore construction. The ASME threaded and flanged valve offering can also be supplied with a PED (Pressure Equipment Directive) certification. Valves are offered in Carbon Steel (WCB) and 316SS (CF8M) bodies. Trim material is 316SS as standard.



Size	Model	Code	End Connection
1/4" - 2" (8-50)	<i>Eliminator</i>	9FA/9FM	ASME 600 Reduced Port, Threaded End
1/2" - 2" (15-50)	4000 Series	4AB/4AM	ASME 800 Reduced Port, Threaded End
1/2" - 1-1/2" (15-40)	4000 Series	4BB/4BM	ASME 800 Full Port, Threaded End
1/2" - 8" (15-200)	7000 Series	7150/7180	ASME 150 Reduced Port, Flanged
1/2" - 8" (15-200)	7000 Series	730S/738S	ASME 300 Reduced Port, Flanged (Short Pattern)
1/2" - 8" (15-200)	7000 Series	7300/7380	ASME 300 Reduced Port, Flanged
1/2" - 6" (15-150)	9000 Series	9150/9180	ASME 150 Full Port, Flanged
1/2" - 6" (15-150)	9000 Series	9300/9380	ASME 300 Full Port, Flanged

Valve Design Features and Benefits

Polymeric flexible lip, self relieving seat design offers tight shut-off to API 598, better than ASME/FCI 70-2 Class VI, in either direction and extended cycle life with a minimum of maintenance. Providing tightest shutoff available.

Xtreme seat material, developed in the Metso Polymer Research Laboratory, provides longer life and industry leading expanded performance. This equals a lower cost of ownership.

API standards for 'Process Valves' require adjustable packing. Metso's independently adjustable stem sealing, including 2" and smaller patented design, provides a life cycle that complements the enhanced performance of the seat technology; lowers the risk of fugitive emissions.

Approved Actuator Models

Metso *Jamesbury* Figure 1057 assemblies are available with a choice of two primary actuator types. The Quadra-Powr® X spring and diaphragm pneumatic actuator rated for 60 psi/4.1 bar minimum air supply or the Valv-Powr® rack and pinion pneumatic actuator rated for 60 psi/4.1 bar minimum air supply. The exception is the use of the B Series piston style actuator that is used with 8" 7000/6" 9000 Series valves rated to -60 F (-51 C). Assemblies approved for 40 psi minimum air supply are available.

Note* Operating a CSA package with an actuator air supply greater than the listed minimum air supply pressure can have an adverse effect on operating speeds. This is especially true in the optional fast closing assemblies.

Quadra-Power X Actuator Features

Rolling diaphragm design, along with a one piece UHMW Polyethylene guide bearing insures a long cycle life, smooth operation and low friction.

Acetal-lined stainless steel backed bearing offer a low coefficient of friction that allows virtually all of the available torque to be delivered directly to the output shaft.

Zinc phosphate epoxy based primer coat and UV resistant polyurethane top coat provide durability and protection in corrosive atmospheres.

Valv-Powr Actuator Features

Bearings on all rotating and moving parts to insure a long cycle life.

Dual piston rack-and-pinion mechanism for simple construction, high cycle life and constant torque output.

Hard-anodized PTFE-coated extruded aluminum body with honed internal surfaces for strength and lower coefficient of friction.

Mechanically multi-guided aluminum pistons for precise movement, low friction and high cycle life.

Machined teeth on piston racks and pinions for excellent rack and pinion engagement and maximum efficiency.

B Series Actuator Features

High quality bearings provide support on the upper and lower portions of the lever arm to reduce friction and expand the life of both the lever arm and the housing. The epoxy painted actuators have housings of rugged cast

iron, with light-weight aluminum cylinders anodized for added corrosion resistance. Travel stops are stainless steel.

The springs in the B1J actuator are contained in a cartridge for added reliability and easy maintenance.

Solenoid Pilot Valves

Metso has tested and qualified all of the approved solenoid models to insure the reliability and quality to maximize cycle life.

Flow capacity of the solenoid is sufficient to provide standard valve closing within 2 seconds.

Standard coils are continuous duty molded Class F.

Stonel® Limit Switches

Housing assemblies are FM approved to NEMA 4, 4X and 6; Class I, Div. 1, Groups B, C, & D; Class II, Div. 1, Groups E, F & G for watertight and explosive proof hazardous location service.

Limit switches are actuated directly from the valve/actuator drive train, reliably giving a true position signal.

Switched designated as "supervisory" are set so that are activated only when the valve is in the fail position. The "supervisory" switch(es) marked so as to indicate the, as assembled, position. Switches indicated as "free" are not marked and can be adjusted. These are normally set to be activated when the actuator is energized.

Maximum Operating Pressure/Temperature Ratings

Valve Size		Valve Material	Seats	Maximum Operating Pressure		Maximum Ambient Temperature*		Minimum Ambient Temperature		Maximum Media Temperature	
Inches	DN			psi	bar	°F	°C	°F	°C	°F	°C
1/4 – 8	8 – 200	Carbon steel	Xtreme PTFE	200	14	125	52	-20	-29	300	149
		316 Stainless Steel						-40	-40		

* Selection with standard solenoid option. High temperature solenoid increases maximum ambient temperature to 140°F (60°C).

Flow Data

The tables below provide flow coefficients of *Jamesbury* Gas Safety Valves covered in this bulletin. The Cv values represent the flow of water at +60°F through the valve in U.S. gallons per minute at a pressure drop of 1 psi. The metric equivalent, Kv, is the flow of water at 16°C through the valve in M³/hr at a pressure drop of 1 kg/cm². To convert Cv to Kv, multiply by 0.8569.

Series 4000					
Valve Size		Standard Port		Full Port	
Inches	DN	Cv	Equivalent length of pipe (ft.)	Cv	Equivalent length of pipe (ft.)
1/2	15	13	1.52	13	1.52
3/4	20	33	1.1	40	0.61
1	25	44	2.1	65	1.9
1-1/4	32	46	8.4	90	2.0
1-1/2	40	95	4.5	135	3.2
2	50	111	12.0	-	-

Standard Port Flanged Valves			
Valve Size		Cv	Equivalent length of pipe (ft.)
Inches	DN		
1/2	15	9	3.2
3/4	20	19	3.1
1	25	45	2.0
2	50	165	5.4
3	80	350	9.7
4	100	550	16.2
6	150	765	70
8	200	1890	51

Full Port Flanged Valves			
Valve Size		Cv	Equivalent length of pipe (ft.)
Inches	DN		
1/2	15	9	3.2
3/4	20	50	0.45
1	25	100	0.41
2	50	490	0.6
3	80	1160	0.8
4	100	2200	0.9
6	150	5100	1.6

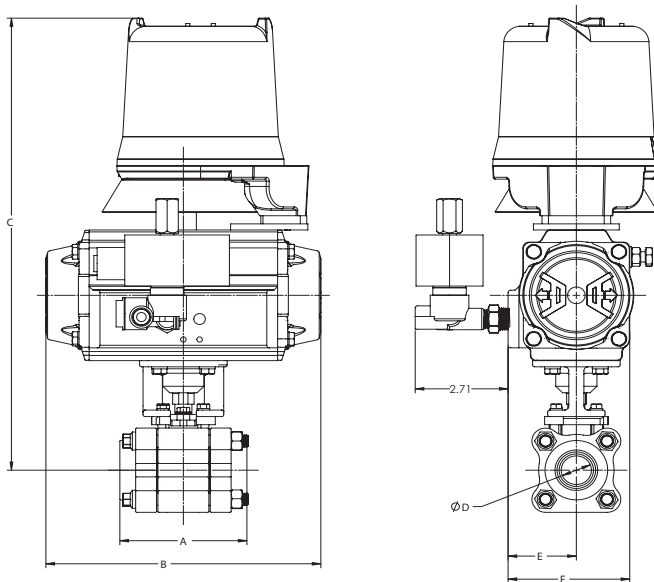
Eliminator & A Style			
Valve Size		Cv	Equivalent length of pipe (ft.)
Inches	DN		
1/4	8	6	0.33
3/8	10	10	0.61
1/2	15	13	1.52
3/4	20	33	1.1
1	25	44	2.1
1-1/4	32	46	8.4
1-1/2	40	95	4.5
2	50	111	12.0

Dimensional Data

The following dimensional data are nominal values using a standard solenoid, standard actuators sized for 60psi and a tall Quartz® switch.

DIMENSIONS

1/2" – 2" (DN 15 – 50) Reduced Port and 1/2" - 1-1/2" (DN 15 - 40) Full Port Series 4000 Screwed End and Socket Weld Valves with Valv-Powr Spring-Return Actuator



Series 4000 Reduced Port - Approximate Dimensions - inches

Valve Size inches	A	B	C	D	E	F	Weight lbs	Actuator
1/2	2.59	6.04	12.24	0.50	1.91	3.33	10	VPVL100SR4/5
3/4	3.01	6.04	12.40	0.69	1.91	3.33	11	VPVL100SR4/5
1	3.69	8.01	13.95	0.88	1.99	3.66	16	VPVL200SR4/5
1-1/4	4.22	8.01	14.45	1.00	1.99	3.66	18	VPVL200SR4/5
1-1/2	4.58	9.49	15.65	1.25	2.22	4.06	24	VPVL250SR4/5
2	5.11	10.20	16.30	1.50	2.48	4.67	31	VPVL300SR4/5

Series 4000 Reduced Port - Approximate Dimensions - mm

Valve Size DN	A	B	C	D	E	F	Weight Kg	Actuator
15	65.8	153.4	311.0	12.7	48.5	84.6	5	VPVL100SR4/5
20	76.5	153.4	315.0	17.5	48.5	84.6	5	VPVL100SR4/5
25	93.7	203.5	354.2	22.4	50.5	93.0	7	VPVL200SR4/5
32	107.2	203.5	367.1	25.4	50.5	93.0	8	VPVL200SR4/5
40	116.3	241.0	397.5	31.8	56.5	103.1	11	VPVL250SR4/5
50	129.8	259.1	414.0	38.1	63.0	118.6	14	VPVL300SR4/5

Series 4000 Full Port - Approximate Dimensions - inches

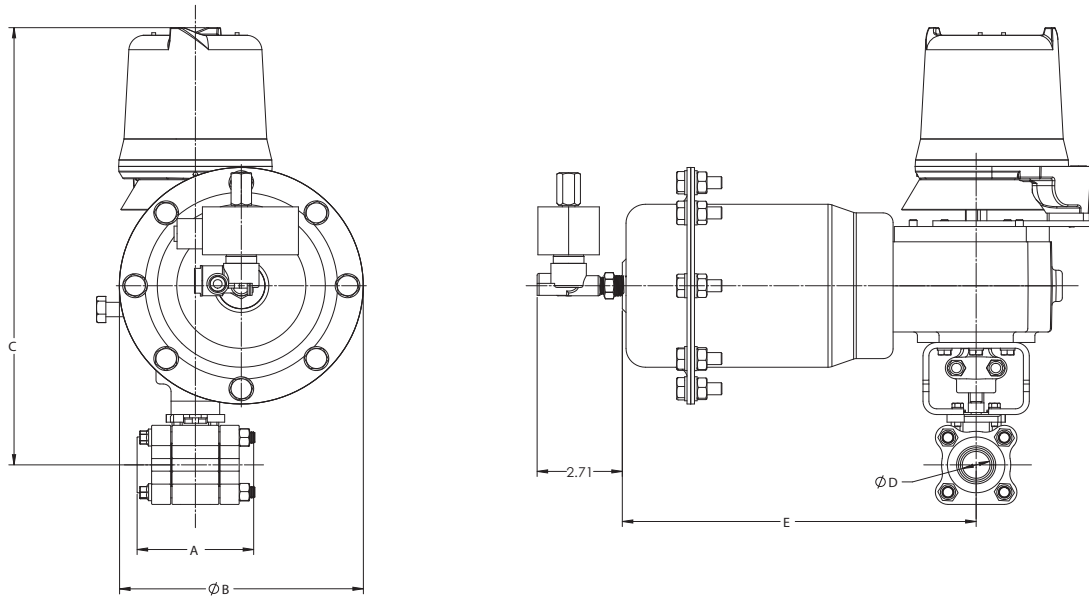
Valve Size inches	A	B	C	D	E	F	Weight lbs	Actuator
1/2	2.59	6.04	12.24	0.50	1.91	3.33	10	VPVL100SR4/5
3/4	3.69	8.01	13.95	0.88	1.99	3.66	17	VPVL200SR4/5
1	4.22	8.01	14.45	1.00	1.99	3.66	18	VPVL200SR4/5
1-1/4	4.58	9.49	15.65	1.25	2.22	4.06	25	VPVL250SR4/5
1-1/2	5.11	10.20	16.30	1.50	2.48	4.67	32	VPVL300SR4/5

Series 4000 Full Port - Approximate Dimensions - mm

Valve Size DN	A	B	C	D	E	F	Weight Kg	Actuator
15	65.8	153.4	311.0	12.7	48.5	84.6	5	VPVL100SR4/5
20	93.7	203.5	354.2	22.4	50.5	93.0	8	VPVL200SR4/5
25	107.2	203.5	367.1	25.4	50.5	93.0	8	VPVL200SR4/5
32	116.3	241.0	397.5	31.8	56.5	103.1	11	VPVL250SR4/5
40	129.8	259.1	414.0	38.1	63.0	118.6	14	VPVL300SR4/5

DIMENSIONS

1/2" – 2" (DN 15 – 50) Reduced Port and 1/2" - 1-1/2" (DN 15 - 40) Full Port Series 4000 Screwed End and Socket Weld Valves with *Quadra-Powr* Spring Diaphragm Actuator



Series 4000 Reduced Port - Approximate Dimensions - inches							
Valve Size inches	A	B	C	D	E	Weight lbs	Actuator
1/2	2.59	7.75	13.72	0.50	11.26	91	QPX1C/M
3/4	3.01	7.75	13.88	0.69	11.26	92	QPX1C/M
1	3.69	7.75	14.36	0.88	11.26	94	QPX1C/M
1-1/4	4.22	7.75	14.49	1.00	11.26	96	QPX1C/M
1-1/2	4.58	7.75	14.94	1.25	11.26	99	QPX1C/M
2	5.11	7.75	15.25	1.50	11.26	102	QPX1C/M

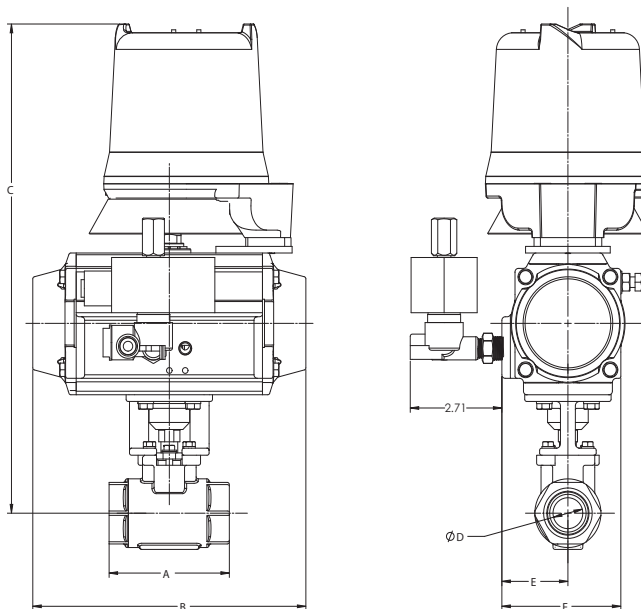
Series 4000 Reduced Port - Approximate Dimensions - mm							
Valve Size DN	A	B	C	D	E	Weight Kg	Actuator
15	65.8	196.9	348.5	12.7	286.0	41	QPX1C/M
20	76.5	196.9	352.6	17.5	286.0	42	QPX1C/M
25	93.7	196.9	364.8	22.4	286.0	43	QPX1C/M
32	107.2	196.9	368.1	25.4	286.0	43	QPX1C/M
40	116.3	196.9	379.6	31.8	286.0	45	QPX1C/M
50	129.8	196.9	387.3	38.1	286.0	46	QPX1C/M

Series 4000 Full Port - Approximate Dimensions - inches							
Valve Size inches	A	B	C	D	E	Weight lbs	Actuator
1/2	2.59	7.75	13.72	0.50	11.26	91	QPX1C/M
3/4	3.69	7.75	14.36	0.88	11.26	95	QPX1C/M
1	4.22	7.75	14.49	1.00	11.26	96	QPX1C/M
1-1/4	4.58	7.75	14.94	1.25	11.26	100	QPX1C/M
1-1/2	5.11	7.75	15.25	1.50	11.26	103	QPX1C/M

Series 4000 Full Port - Approximate Dimensions - mm							
Valve Size DN	A	B	C	D	E	Weight lbs	Actuator
15	65.8	196.9	348.5	12.7	286.0	41	QPX1C/M
20	93.7	196.9	364.8	22.4	286.0	43	QPX1C/M
25	107.2	196.9	368.1	25.4	286.0	44	QPX1C/M
32	116.3	196.9	379.6	31.8	286.0	45	QPX1C/M
40	129.8	196.9	387.3	38.1	286.0	47	QPX1C/M

DIMENSIONS

1/4" – 2" (DN 8 – 50) Reduced Port *Eliminator* Screwed End Valves with *Valv-Powr* Spring-Return Actuator

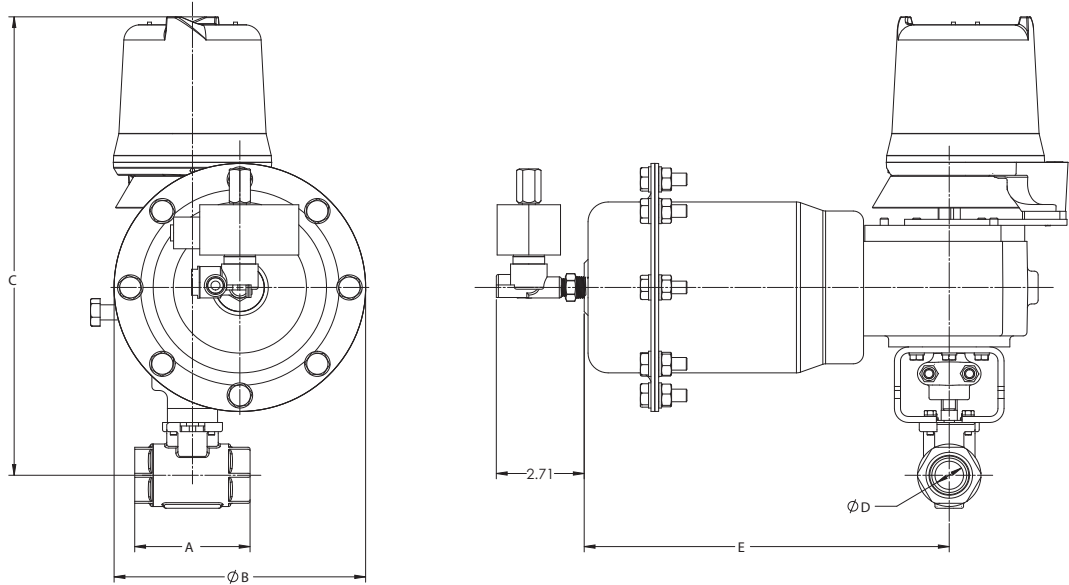


Series 9F Reduced Port - Approximate Dimensions - inches								
Valve Size inches	A	B	C	D	E	F	Weight lbs	Actuator
1/4	2.16	6.04	12.24	0.43	1.91	3.33	9	VPVL100SR4/5
3/8	2.16	6.04	12.24	0.43	1.91	3.33	9	VPVL100SR4/5
1/2	2.62	6.04	12.24	0.50	1.91	3.33	9	VPVL100SR4/5
3/4	3.00	6.04	12.40	0.69	1.91	3.33	10	VPVL100SR4/5
1	3.55	8.01	13.95	0.88	1.99	3.66	14	VPVL200SR4/5
1-1/4	4.00	8.01	14.45	1.00	1.99	3.66	15	VPVL200SR4/5
1-1/2	4.38	9.49	15.65	1.23	2.22	4.06	20	VPVL250SR4/5
2	5.50	10.20	16.30	1.50	2.48	4.67	26	VPVL300SR4/5

Series 9F Reduced Port - Approximate Dimensions - mm								
Valve Size DN	A	B	C	D	E	F	Weight Kg	Actuator
8	54.9	153.4	311.0	10.9	48.5	84.6	4	VPVL100SR4/5
10	54.9	153.4	311.0	10.9	48.5	84.6	4	VPVL100SR4/5
15	66.5	153.4	311.0	12.7	48.5	84.6	4	VPVL100SR4/5
20	76.2	153.4	315.0	17.5	48.5	84.6	5	VPVL100SR4/5
25	90.2	203.5	354.2	22.4	50.5	93.0	7	VPVL200SR4/5
32	101.6	203.5	367.1	25.4	50.5	93.0	7	VPVL200SR4/5
40	111.3	241.0	397.5	31.2	56.5	103.1	9	VPVL250SR4/5
50	139.7	259.1	414.0	38.1	63.0	118.6	12	VPVL300SR4/5

DIMENSIONS

1/4" – 2" (DN 8 – 50) Reduced Port *Eliminator* Screwed End Valves with *Quadra-Powr* Spring Diaphragm Actuator

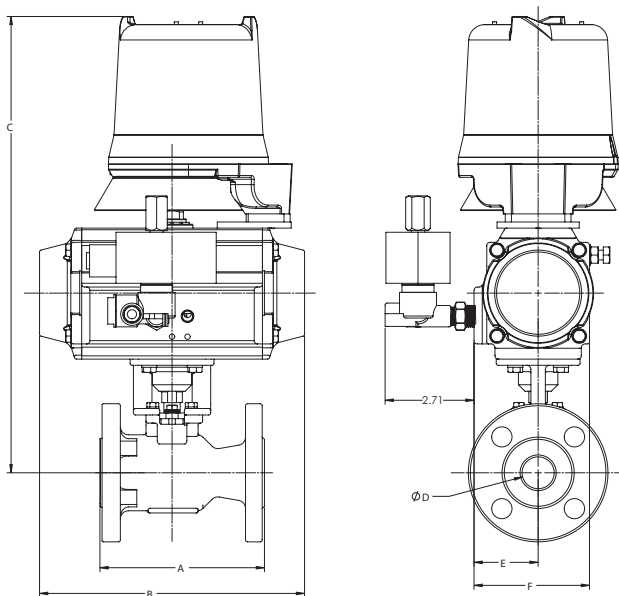


Series 9F Reduced Port - Approximate Dimensions - inches							
Valve Size inches	A	B	C	D	E	Weight lbs	Actuator
1/4	2.16	7.75	13.72	0.43	11.26	90	QPX1C/M
3/8	2.16	7.75	13.72	0.43	11.26	90	QPX1C/M
1/2	2.62	7.75	13.72	0.50	11.26	90	QPX1C/M
3/4	3.00	7.75	13.88	0.69	11.26	91	QPX1C/M
1	3.55	7.75	14.36	0.88	11.26	92	QPX1C/M
1-1/4	4.00	7.75	14.49	1.00	11.26	93	QPX1C/M
1-1/2	4.38	7.75	14.94	1.23	11.26	95	QPX1C/M
2	5.50	7.75	15.25	1.50	11.26	97	QPX1C/M

Series 9F Reduced Port - Approximate Dimensions - mm							
Valve Size DN	A	B	C	D	E	Weight Kg	Actuator
8	54.9	196.9	348.5	10.9	286.00	41	QPX1C/M
10	54.9	196.9	348.5	10.9	286.00	41	QPX1C/M
15	66.5	196.9	348.5	12.7	286.00	41	QPX1C/M
20	76.2	196.9	352.6	17.5	286.00	41	QPX1C/M
25	90.2	196.9	364.8	22.4	286.00	42	QPX1C/M
32	101.6	196.9	368.1	25.4	286.00	42	QPX1C/M
40	111.3	196.9	379.6	31.2	286.00	43	QPX1C/M
50	139.7	196.9	387.3	38.1	286.00	44	QPX1C/M

DIMENSIONS

1/2" – 2" (DN 15 – 50) Series 7000 and 9000 ASME Class 150 and 300 Full and Reduced Port Valves with Valv-Powr Spring-Return Actuator



1/2" – 2" (DN 15 – 50) Series 7000 ASME Class 150 and 300 Reduced Port Valves with Valv-Powr Spring-Return Actuator

Series 7150 Reduced Port - Class 150 Rating Approximate Dimensions - inches

Valve Size inches	A	B	C	D	E	F	Weight lbs	Actuator
1/2	4.25	6.04	12.24	0.50	1.91	3.33	12	VPVL100SR4/5
3/4	4.63	6.04	12.40	0.69	1.91	3.33	13	VPVL100SR4/5
1	5.00	8.01	13.95	0.88	1.99	3.66	19	VPVL200SR4/5
1-1/2	6.50	9.49	15.28	1.25	2.22	4.06	26	VPVL250SR4/5
2	7.00	10.20	15.93	1.50	2.48	4.67	34	VPVL300SR4/5

Series 7150 Reduced Port - Class 150 Rating Approximate Dimensions - mm

Valve Size DN	A	B	C	D	E	F	Weight Kg	Actuator
15	107.95	153.42	310.97	12.70	48.50	84.58	5	VPVL100SR4/5
20	117.60	153.42	315.04	17.53	48.50	84.58	6	VPVL100SR4/5
25	127.00	203.45	354.23	22.35	50.50	92.96	9	VPVL200SR4/5
40	165.10	241.05	387.99	31.75	56.50	103.12	12	VPVL250SR4/5
50	177.80	259.08	404.50	38.10	63.00	118.62	16	VPVL300SR4/5

Series 7300 Reduced Bore - Class 300 Rating Approximate Dimensions - inches

Valve Size inches	A	B	C	D	E	F	Weight lbs	Actuator
1/2	5.50	6.04	12.24	0.50	1.91	3.33	14	VPVL100SR4/5
3/4	6.00	6.04	12.40	0.69	1.91	3.33	16	VPVL100SR4/5
1	6.50	8.01	13.95	0.88	1.99	3.66	21	VPVL200SR4/5
1-1/2	7.50	9.49	15.28	1.25	2.22	4.06	30	VPVL250SR4/5
2	8.50	10.20	16.30	1.50	2.48	4.67	40	VPVL300SR4/5

Series 7300 Reduced Bore - Class 300 Rating Approximate Dimensions - mm

Valve Size DN	A	B	C	D	E	F	Weight Kg	Actuator
15	139.70	153.42	310.97	12.70	48.50	84.58	6	VPVL100SR4/5
20	152.40	153.42	315.04	17.53	48.50	84.58	7	VPVL100SR4/5
25	165.10	203.45	354.23	22.35	50.50	92.96	10	VPVL200SR4/5
40	190.50	241.05	387.99	31.75	56.50	103.12	14	VPVL250SR4/5
50	215.90	259.08	414.02	38.10	63.00	118.62	18	VPVL300SR4/5

DIMENSIONS

Series 730S Reduced Port - Class 300 Rating Approximate Dimensions - inches								
Valve Size inches	A	B	C	D	E	F	Weight lbs	Actuator
1/2	4.25	6.04	12.24	0.50	1.91	3.33	13	VPVL100SR4/5
3/4	4.63	6.04	12.40	0.69	1.91	3.33	16	VPVL100SR4/5
1	5.00	8.01	13.95	0.88	1.99	3.66	21	VPVL200SR4/5
1-1/2	6.50	9.49	15.28	1.25	2.22	4.06	32	VPVL250SR4/5
2	7.00	10.20	16.30	1.50	2.48	4.67	39	VPVL300SR4/5

Series 730S Reduced Port - Class 300 Rating Approximate Dimensions - mm								
Valve Size DN	A	B	C	D	E	F	Weight Kg	Actuator
15	107.95	153.42	301.97	12.70	48.50	84.58	6	VPVL100SR4/5
20	117.60	153.42	315.04	17.53	48.50	84.58	7	VPVL100SR4/5
25	127.00	203.45	354.23	22.35	50.50	92.96	10	VPVL200SR4/5
40	165.10	241.05	387.99	31.75	56.50	103.12	14	VPVL250SR4/5
50	177.80	259.08	414.02	38.10	63.00	118.62	18	VPVL300SR4/5

1/2" – 1-1/2" (DN 15 – 40) Series 9000 ASME Class 150 and 300 Full Port Valves with *Valv-Powr* Spring-Return Actuator

Series 9150 Full Port - Class 150 Rating Approximate Dimensions - inches								
Valve Size inches	A	B	C	D	E	F	Weight lbs	Actuator
1/2	4.25	6.04	12.24	0.50	1.91	3.33	12	VPVL100SR4/5
3/4	4.63	8.01	13.95	0.88	1.99	3.66	21	VPVL200SR4/5
1	5.00	9.49	14.59	1.00	2.22	4.06	27	VPVL250SR4/5
1-1/2	6.50	10.20	16.30	1.50	2.48	4.67	35	VPVL300SR4/5

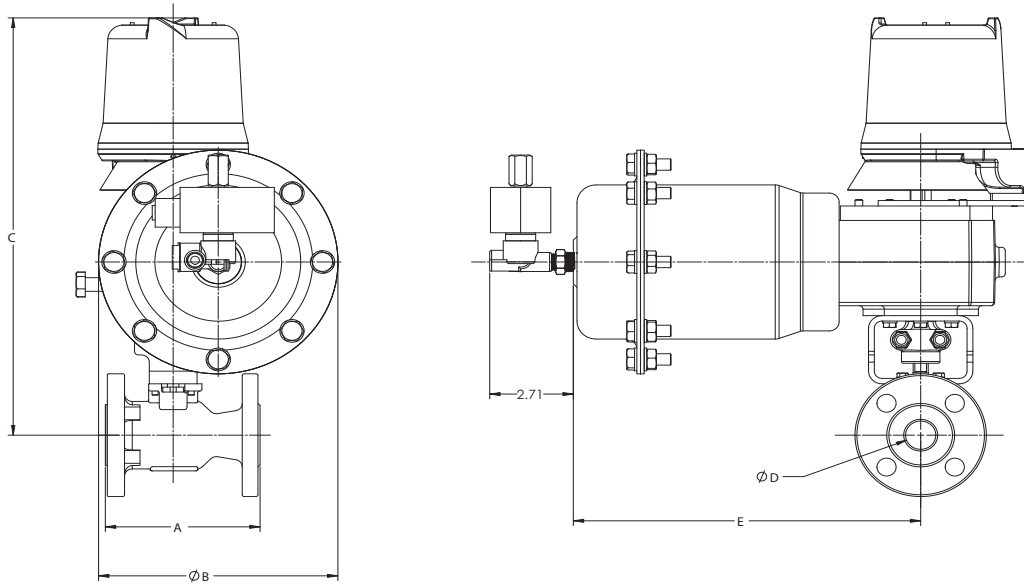
Series 9150 Full Port - Class 150 Rating Approximate Dimensions - mm								
Valve Size DN	A	B	C	D	E	F	Weight Kg	Actuator
15	107.95	153.42	310.97	12.70	48.50	84.58	5	VPVL100SR4/5
20	117.60	203.45	354.23	22.35	50.50	92.96	10	VPVL200SR4/5
25	127.00	241.05	370.48	25.40	56.50	103.12	12	VPVL250SR4/5
40	165.10	259.08	414.02	38.10	63.00	118.62	16	VPVL300SR4/5

Series 9300 Full Port - Class 300 Rating Approximate Dimensions - inches								
Valve Size inches	A	B	C	D	E	F	Weight lbs	Actuator
1/2	5.50	6.04	12.24	0.50	1.91	3.33	14	VPVL100SR4/5
3/4	6.00	8.01	13.95	0.88	1.99	3.66	24	VPVL200SR4/5
1	6.50	9.49	14.59	1.00	2.22	4.06	31	VPVL250SR4/5
1-1/2	7.50	11.97	17.01	1.50	2.83	5.39	47	VPVL350SR4/5

Series 9300 Full Port - Class 300 Rating Approximate Dimensions - mm								
Valve Size DN	A	B	C	D	E	F	Weight Kg	Actuator
15	139.70	153.42	310.97	12.70	48.50	84.58	6	VPVL100SR4/5
20	152.40	203.45	354.23	22.35	50.50	92.96	11	VPVL200SR4/5
25	165.10	241.05	370.48	25.40	56.50	103.12	14	VPVL250SR4/5
40	190.50	304.04	432.05	38.10	72.00	136.91	21	VPVL350SR4/5

DIMENSIONS

1/2" – 2" (DN 15 – 50) Series 7000 and 9000 ASME Class 150 and 300 Full and Reduced Port Valves with *Quadra-Powr* Spring Diaphragm Actuator



1/2" – 2" (DN 15 – 50) Series 7000 ASME Class 150 and 300 Reduced Port Valves with *Quadra-Powr* Spring Diaphragm Actuator

Series 7150 Reduced Port - Class 150 Rating Approximate Dimensions - inches

Valve Size inches	A	B	C	D	E	Weight lbs	Actuator
1/2	4.25	7.75	13.72	0.50	11.26	93	QPX1C/M
3/4	4.63	7.75	13.88	0.69	11.26	94	QPX1C/M
1	5.00	7.75	14.36	0.88	11.26	97	QPX1C/M
1-1/2	6.50	7.75	14.94	1.25	11.26	101	QPX1C/M
2	7.00	7.75	15.12	1.50	11.26	105	QPX1C/M

Series 7150 Reduced Port - Class 150 Rating Approximate Dimensions - mm

Valve Size DN	A	B	C	D	E	Weight Kg	Actuator
15	107.95	196.85	348.50	12.70	286.00	42	QPX1C/M
20	117.60	196.85	352.57	17.53	286.00	43	QPX1C/M
25	127.00	196.85	364.82	22.35	286.00	44	QPX1C/M
40	165.10	196.85	379.55	31.75	286.00	46	QPX1C/M
50	177.80	196.85	384.13	38.10	286.00	48	QPX1C/M

Series 7300 Reduced Port - Class 300 Rating Approximate Dimensions - inches

Valve Size inches	A	B	C	D	E	Weight lbs	Actuator
1/2	5.50	7.75	13.72	0.50	11.26	95	QPX1C/M
3/4	6.00	7.75	13.88	0.69	11.26	97	QPX1C/M
1	6.50	7.75	14.36	0.88	11.26	99	QPX1C/M
1-1/2	7.50	7.75	14.94	1.25	11.26	105	QPX1C/M
2	8.50	7.75	15.12	1.50	11.26	111	QPX1C/M

Series 7300 Reduced Port - Class 300 Rating Approximate Dimensions - mm

Valve Size DN	A	B	C	D	E	Weight Kg	Actuator
15	139.70	196.85	348.50	12.70	286.00	43	QPX1C/M
20	152.40	196.85	352.57	17.53	286.00	44	QPX1C/M
25	165.10	196.85	364.82	22.35	286.00	45	QPX1C/M
40	190.50	196.85	379.55	31.75	286.00	48	QPX1C/M
50	215.90	196.85	384.13	38.10	286.00	51	QPX1C/M

DIMENSIONS

Series 730S Reduced Port - Class 300 Rating Approximate Dimensions - inches							
Valve Size inches	A	B	C	D	E	Weight lbs	Actuator
1/2	4.25	7.75	13.72	0.50	11.26	94	QPX1C/M
3/4	4.63	7.75	13.88	0.69	11.26	97	QPX1C/M
1	5.00	7.75	14.36	0.88	11.26	99	QPX1C/M
1-1/2	6.50	7.75	14.94	1.25	11.26	107	QPX1C/M
2	7.00	7.75	15.12	1.50	11.26	110	QPX1C/M

Series 730S Reduced Port - Class 300 Rating Approximate Dimensions - mm							
Valve Size DN	A	B	C	D	E	Weight Kg	Actuator
15	107.95	196.85	348.50	12.70	286.00	43	QPX1C/M
20	117.60	196.85	352.57	17.53	286.00	44	QPX1C/M
25	127.00	196.85	364.82	22.35	286.00	45	QPX1C/M
40	165.10	196.85	379.55	31.75	286.00	48	QPX1C/M
50	177.80	196.85	384.13	38.10	286.00	50	QPX1C/M

1/2" – 1-1/2" (DN 15 – 50) Series 9000 ASME Class 150 and 300 Full Port Valves with Quadra-Powr Spring Diaphragm Actuator

Series 9150 Full Port - Class 150 Rating Approximate Dimensions - inches							
Valve Size inches	A	B	C	D	E	Weight lbs	Actuator
1/2	4.25	7.75	13.72	0.50	11.26	93	QPX1C/M
3/4	4.63	7.75	14.36	0.88	11.26	99	QPX1C/M
1	5.00	7.75	14.49	1.00	11.26	102	QPX1C/M
1-1/2	6.50	7.75	15.12	1.50	11.26	106	QPX1C/M

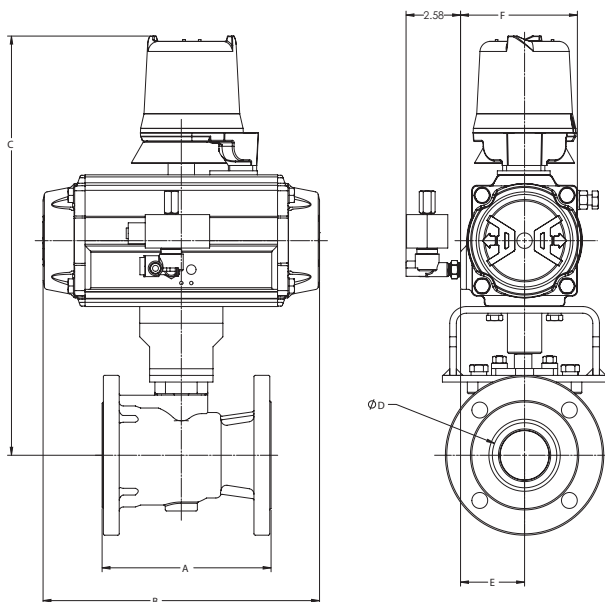
Series 9150 Full Port - Class 150 Rating Approximate Dimensions - mm							
Valve Size DN	A	B	C	D	E	Weight Kg	Actuator
15	107.95	196.85	348.50	12.70	286.00	42	QPX1C/M
20	117.60	196.85	364.82	22.35	286.00	45	QPX1C/M
25	127.00	196.85	368.12	25.40	286.00	46	QPX1C/M
40	165.10	196.85	384.13	38.10	286.00	48	QPX1C/M

Series 9300 Full Port - Class 300 Rating Approximate Dimensions - inches							
Valve Size inches	A	B	C	D	E	Weight lbs	Actuator
1/2	5.50	7.75	13.72	0.50	11.26	95	QPX1C/M
3/4	6.00	7.75	14.36	0.88	11.26	102	QPX1C/M
1	6.50	7.75	14.49	1.00	11.26	106	QPX1C/M
1-1/2	7.50	7.75	15.12	1.50	11.26	111	QPX1C/M

Series 9300 Full Port - Class 300 Rating Approximate Dimensions - mm							
Valve Size DN	A	B	C	D	E	Weight Kg	Actuator
15	139.70	196.85	348.50	12.70	286.00	43	QPX1C/M
20	152.40	196.85	364.82	22.35	286.00	46	QPX1C/M
25	165.10	196.85	368.12	25.40	286.00	48	QPX1C/M
40	190.50	196.85	384.13	38.10	286.00	51	QPX1C/M

DIMENSIONS

3" – 6" (DN 80 - 150) Series 7000 ASME Class 150 and 300 Reduced Port Valves with Valv-Powr Spring-Return Actuator



Series 7150 Reduced Port - Class 150 Rating Approximate Dimensions - inches

Valve Size inches	A	B	C	D	E	F	Weight lbs	Actuator
3	8.00	13.11	13.92	2.31	3.03	5.79	74	VPVL400SR4/5
4	9.00	15.53	14.41	3.00	3.39	6.54	112	VPVL450SR4/5
6	10.50	20.79	19.44	4.00	4.39	8.58	227	VPVL600SR4/5

Series 7150 Reduced Port - Class 150 Rating Approximate Dimensions - mm

Valve Size DN	A	B	C	D	E	F	Weight Kg	Actuator
80	203.20	332.99	353.44	58.67	77.00	147.07	34	VPVL400SR4/5
100	228.60	394.46	365.89	76.20	86.00	166.12	51	VPVL450SR4/5
150	266.70	528.07	493.67	101.60	111.50	217.93	103	VPVL600SR4/5

Series 7300 Reduced Port - Class 300 Rating Approximate Dimensions - inches

Valve Size inches	A	B	C	D	E	F	Weight lbs	Actuator
3	11.12	13.11	13.92	2.31	3.03	5.79	94	VPVL400SR4/5
4	12.00	15.53	15.94	3.00	3.39	6.54	147	VPVL450SR4/5
6	15.88	20.79	18.07	4.00	4.39	8.58	300	VPVL600SR4/5

Series 7300 Reduced Port - Class 300 Rating Approximate Dimensions - mm

Valve Size DN	A	B	C	D	E	F	Weight Kg	Actuator
80	282.45	332.99	353.44	58.67	77.00	147.07	43	VPVL400SR4/5
100	304.80	394.46	404.95	76.20	86.00	166.12	67	VPVL450SR4/5
150	403.35	528.07	458.93	101.60	111.50	217.93	136	VPVL600SR4/5

Series 730S Reduced Port - Class 300 Rating Approximate Dimensions - inches

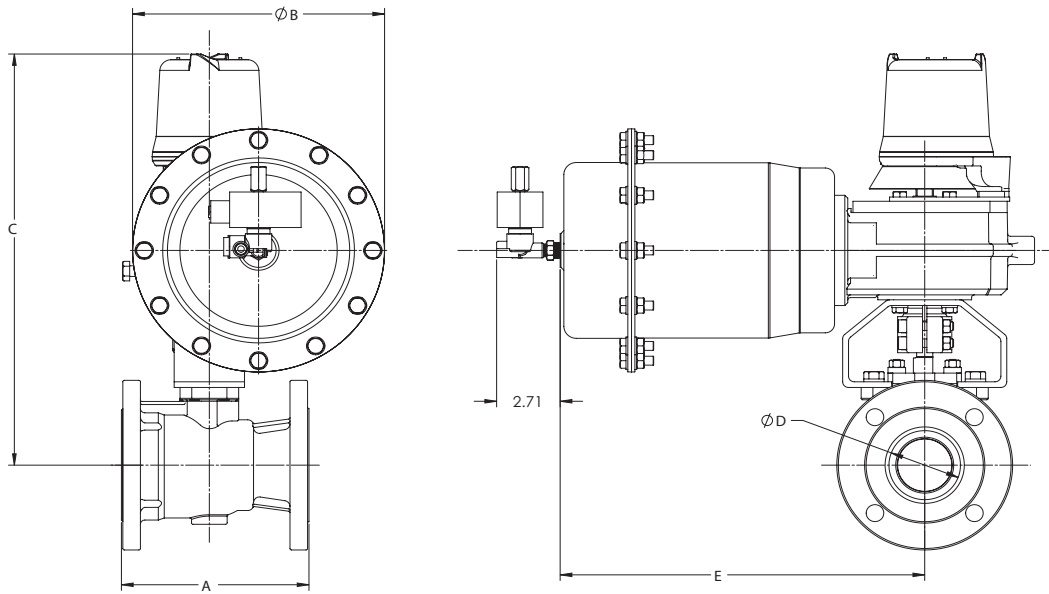
Valve Size inches	A	B	C	D	E	F	Weight lbs	Actuator
3	8.00	13.11	13.92	2.31	3.03	5.79	87	VPVL400SR4/5
4	9.00	15.53	15.94	3.00	3.39	6.54	138	VPVL450SR4/5
6	10.50	20.79	18.07	4.00	4.39	8.58	266	VPVL600SR4/5

Series 730S Reduced Port - Class 300 Rating Approximate Dimensions - mm

Valve Size DN	A	B	C	D	E	F	Weight Kg	Actuator
80	203.20	332.99	353.44	58.67	77.00	147.07	40	VPVL400SR4/5
100	228.60	394.46	404.95	76.20	86.00	166.12	63	VPVL450SR4/5
150	266.70	528.07	458.93	101.60	111.50	217.93	121	VPVL600SR4/5

DIMENSIONS

3" – 6" (DN 80 - 150) Series 7000 ASME Class 150 and 300 Reduced Port Valves with Quadra-Powr Spring Diaphragm Actuator



Series 7150 Reduced Port - Class 150 Rating Approximate Dimensions - inches							
Valve Size inches	A	B	C	D	E	Weight lbs	Actuator
3	8.00	10.79	18.75	2.31	15.78	148	QPX3C/M
4	9.00	10.79	19.36	3.00	15.78	175	QPX3C/M
6	10.50	12.60	22.94	4.00	17.80	256	QPX4C/M

Series 7150 Reduced Port - Class 150 Rating Approximate Dimensions - mm							
Valve Size DN	A	B	C	D	E	Weight Kg	Actuator
80	203.20	274.07	476.22	58.67	400.81	67	QPX3C/M
100	228.60	274.07	491.84	76.20	400.81	79	QPX3C/M
150	266.70	320.04	582.74	101.60	452.12	116	QPX4C/M

Series 7300 Reduced Port - Class 300 Rating Approximate Dimensions - inches							
Valve Size inches	A	B	C	D	E	Weight lbs	Actuator
3	11.12	10.79	18.37	2.31	15.78	165	QPX3C/M
4	12.00	10.79	20.30	3.00	15.78	205	QPX3C/M
6	15.88	12.60	23.61	4.00	17.80	327	QPX4C/M

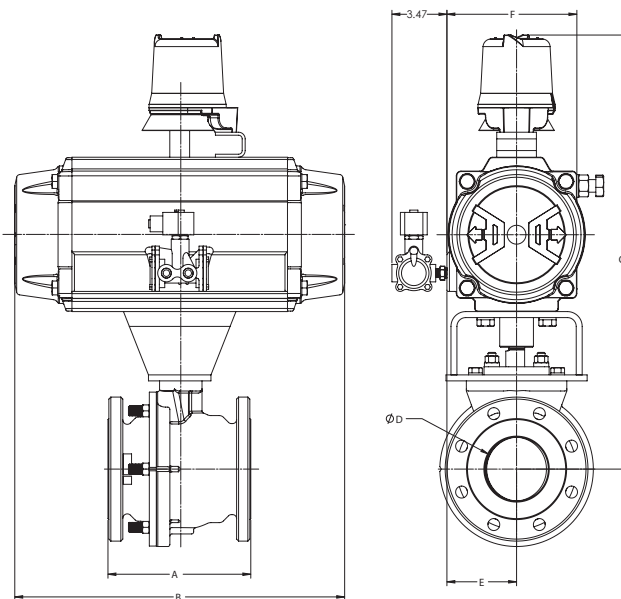
Series 7300 Reduced Port - Class 300 Rating Approximate Dimensions - mm							
Valve Size DN	A	B	C	D	E	Weight Kg	Actuator
80	282.45	274.07	466.69	58.67	400.81	75	QPX3C/M
100	304.80	274.07	515.64	76.20	400.81	93	QPX3C/M
150	403.35	320.04	599.73	101.60	452.12	148	QPX4C/M

Series 730S Reduced Port - Class 300 Rating Approximate Dimensions - inches							
Valve Size inches	A	B	C	D	E	Weight lbs	Actuator
3	8.00	10.79	18.37	2.31	15.78	158	QPX3C/M
4	9.00	10.79	20.30	3.00	15.78	196	QPX3C/M
6	10.50	12.60	23.61	4.00	17.80	293	QPX4C/M

Series 730S Reduced Port - Class 300 Rating Approximate Dimensions - mm							
Valve Size DN	A	B	C	D	E	Weight Kg	Actuator
80	203.20	274.07	466.69	58.67	400.81	72	QPX3C/M
100	228.60	274.07	515.64	76.20	400.81	89	QPX3C/M
150	266.70	320.04	599.73	101.60	452.12	133	QPX4C/M

DIMENSIONS

2" – 4" (DN 50 - 100) Series 9000 ASME Class 150 and 300 Full Port Valves with Valv-Powr Spring-Return Actuator



Series 9150 Full Port - Class 150 Rating Approximate Dimensions - inches

Valve Size inches	A	B	C	D	E	F	Weight lbs	Actuator
2	7.00	15.53	13.57	2.00	3.39	6.54	78	VPVL450SR4/5
3	8.00	15.53	14.38	3.00	3.39	6.54	98	VPVL450SR4/5
4	9.00	20.79	17.52	4.00	4.39	8.58	197	VPVL600SR4/5

Series 9150 Full Port - Class 150 Rating Approximate Dimensions - mm

Valve Size DN	A	B	C	D	E	F	Weight Kg	Actuator
50	177.80	394.46	344.55	50.80	86.00	166.12	36	VPVL450SR4/5
80	203.20	394.46	365.13	76.20	86.00	166.12	45	VPVL450SR4/5
100	228.60	528.07	445.11	101.60	111.50	217.93	89	VPVL600SR4/5

Series 9300 Full Port - Class 300 Rating Approximate Dimensions - inches

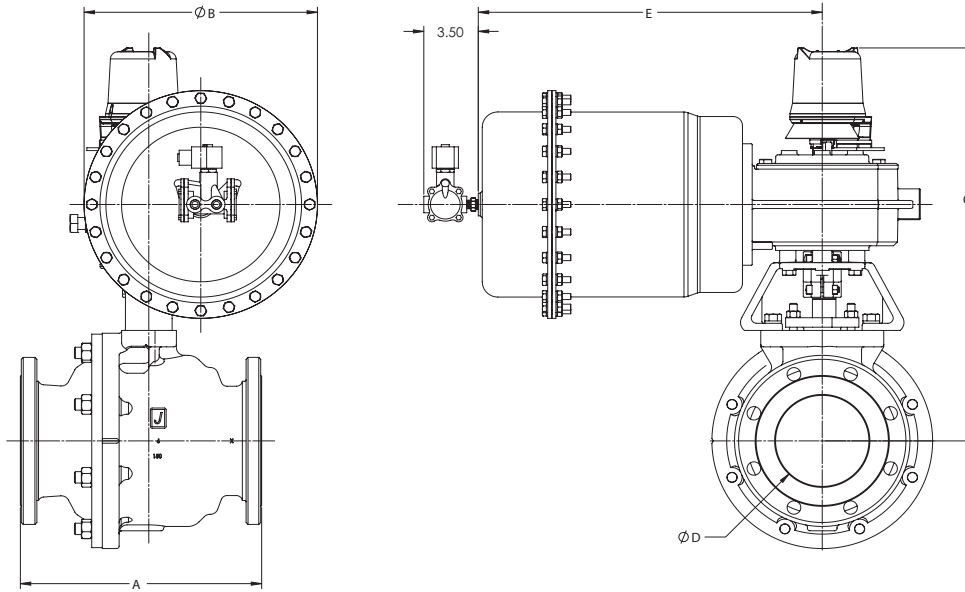
Valve Size inches	A	B	C	D	E	F	Weight lbs	Actuator
2	8.50	15.53	13.57	2.00	3.39	6.54	86	VPVL450SR4/5
3	11.12	15.53	15.95	3.00	3.39	6.54	128	VPVL450SR4/5
4	12.00	20.79	18.07	4.00	4.39	8.58	242	VPVL600SR4/5

Series 9300 Full Port - Class 300 Rating Approximate Dimensions - mm

Valve Size DN	A	B	C	D	E	F	Weight Kg	Actuator
50	215.90	394.46	344.55	50.80	86.00	166.12	39	VPVL450SR4/5
80	282.45	394.46	405.21	76.20	86.00	166.12	58	VPVL450SR4/5
100	304.80	528.07	458.93	101.60	111.50	217.93	110	VPVL600SR4/5

DIMENSIONS

8" (DN 200) Series 7000 and 2" - 6" (DN 50 - 150) Series 9000 ASME Class 150 and 300 Full and Reduced Port Valves with *Quadra-Powr* Spring Diaphragm Actuator



Series 7150 Reduced Port - Class 150 Rating Approximate Dimensions - inches							
Valve Size inches	A	B	C	D	E	Weight lbs	Actuator
8	11.50	15.04	26.44	6.00	22.07	413	QPX5C/M

Series 7150 Reduced Port - Class 150 Rating Approximate Dimensions - mm							
Valve Size DN	A	B	C	D	E	Weight Kg	Actuator
200	292.10	382.02	671.55	152.40	560.58	187	QPX5C/M

Series 7300 Reduced Port - Class 300 Rating Approximate Dimensions - inches							
Valve Size inches	A	B	C	D	E	Weight lbs	Actuator
8	16.50	15.04	27.55	6.00	22.07	513	QPX5C/M

Series 7300 Reduced Port - Class 300 Rating Approximate Dimensions - mm							
Valve Size DN	A	B	C	D	E	Weight Kg	Actuator
200	419.10	382.02	699.67	152.40	560.58	233	QPX5C/M

Series 730S Reduced Port - Class 300 Rating Approximate Dimensions - inches							
Valve Size inches	A	B	C	D	E	Weight lbs	Actuator
8	11.50	15.04	27.55	6.00	22.07	500	QPX5C/M

Series 730S Reduced Port - Class 300 Rating Approximate Dimensions - mm							
Valve Size DN	A	B	C	D	E	Weight Kg	Actuator
200	292.10	382.02	699.67	152.40	560.58	227	QPX5C/M

DIMENSIONS

8" (DN 200) Series 7000 and 2" – 6" (DN 50 - 150) Series 9000 ASME Class 150 and 300 Full and Reduced Port Valves with *Quadra-Powr* Spring Diaphragm Actuator

Series 9150 Full Port - Class 150 Rating Approximate Dimensions - inches							
Valve Size inches	A	B	C	D	E	Weight lbs	Actuator
2	7.00	10.79	18.02	2.00	15.78	135	QPX3C/M
3	8.00	10.79	18.96	3.00	15.78	157	QPX3C/M
4	9.00	12.60	22.94	4.00	17.80	221	QPX4C/M
6	10.50	15.04	26.45	6.00	22.07	407	QPX5C/M

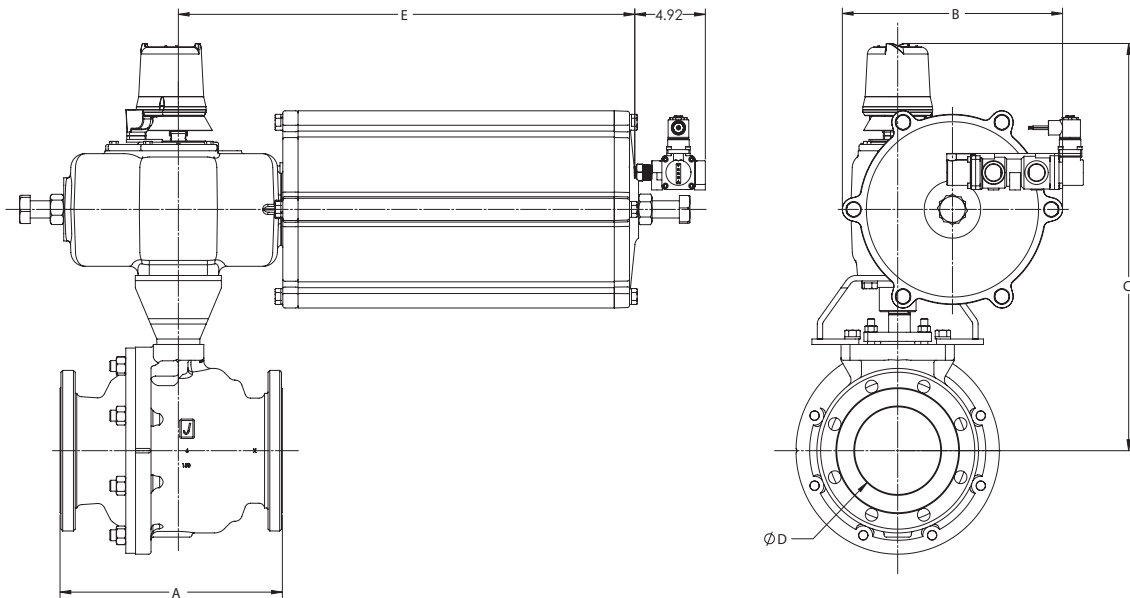
Series 9150 Full Port - Class 150 Rating Approximate Dimensions - mm							
Valve Size DN	A	B	C	D	E	Weight Kg	Actuator
50	177.80	274.07	457.80	50.80	400.81	61	QPX3C/M
80	203.20	274.07	481.55	76.20	400.81	71	QPX3C/M
100	228.60	320.04	582.74	101.60	452.12	100	QPX4C/M
150	266.70	382.02	671.80	152.40	560.58	185	QPX5C/M

Series 9300 Full Port - Class 300 Rating Approximate Dimensions - inches							
Valve Size inches	A	B	C	D	E	Weight lbs	Actuator
2	8.50	10.79	18.02	2.00	15.78	143	QPX3C/M
3	11.12	10.79	20.31	3.00	15.78	186	QPX3C/M
4	12.00	12.60	23.61	4.00	17.80	269	QPX4C/M
6	15.88	15.04	27.55	6.00	22.07	500	QPX5C/M

Series 9300 Full Port - Class 300 Rating Approximate Dimensions - mm							
Valve Size DN	A	B	C	D	E	Weight Kg	Actuator
50	215.90	274.07	457.80	50.80	400.81	65	QPX3C/M
80	282.45	274.07	515.89	76.20	400.81	84	QPX3C/M
100	304.80	320.04	599.73	101.60	452.12	122	QPX4C/M
150	403.35	382.02	699.67	152.40	560.58	227	QPX5C/M

DIMENSIONS

8" (DN 200) Series 7000 and 6" (DN 150) Series 9000 ASME Class 150 and 300 Full and Reduced Port Valves with B1J Spring-Return Actuator



Series 7150 Reduced Port - Class 150 Rating Approximate Dimensions - inches							
Valve Size inches	A	B	C	D	E	Weight lbs	Actuator
8	11.50	15.35	29.99	6.00	31.59	657	B1JU20

Series 7150 Reduced Port - Class 150 Rating Approximate Dimensions - mm							
Valve Size DN	A	B	C	D	E	Weight Kg	Actuator
200	292.10	389.99	761.70	152.40	802.50	298	B1JU20

Series 7300 Reduced Port - Class 300 Rating Approximate Dimensions - inches							
Valve Size inches	A	B	C	D	E	Weight lbs	Actuator
8	16.50	15.35	31.64	6.00	31.59	746	B1JU20

Series 7300 Reduced Port - Class 300 Rating Approximate Dimensions - mm							
Valve Size DN	A	B	C	D	E	Weight Kg	Actuator
200	419.10	389.99	803.66	152.40	802.50	338	B1JU20

Series 730S Reduced Port - Class 300 Rating Approximate Dimensions - inches							
Valve Size inches	A	B	C	D	E	Weight lbs	Actuator
8	11.50	15.35	31.64	6.00	31.59	733	B1JU20

Series 730S Reduced Port - Class 300 Rating Approximate Dimensions - mm							
Valve Size DN	A	B	C	D	E	Weight Kg	Actuator
200	292.10	389.99	803.66	152.40	802.50	333	B1JU20

DIMENSIONS

8" (DN 200) Series 7000 and 6" (DN 150) Series 9000 ASME Class 150 and 300 Full and Reduced Port Valves with B1J Spring-Return Actuator

Series 9150 Full Port - Class 150 Rating Approximate Dimensions - inches							
Valve Size inches	A	B	C	D	E	Weight lbs	Actuator
6	10.50	15.35	30.00	6.00	31.59	651	B1JU20

Series 9150 Full Port - Class 150 Rating Approximate Dimensions - mm							
Valve Size DN	A	B	C	D	E	Weight Kg	Actuator
150	266.70	389.99	761.95	152.40	802.50	295	B1JU20

Series 9300 Full Port - Class 300 Rating Approximate Dimensions - inches							
Valve Size inches	A	B	C	D	E	Weight lbs	Actuator
6	15.88	15.35	31.64	6.00	31.59	733	B1JU20

Series 9300 Full Port - Class 300 Rating Approximate Dimensions - mm							
Valve Size DN	A	B	C	D	E	Weight Kg	Actuator
150	403.35	389.99	803.66	152.40	802.50	333	B1JU20

HOW TO ORDER JAMESBURY GAS SAFETY SHUTOFF AND VENT VALVES

As the use of the valve is application specific, a number of factors should be taken into account when selecting a valve for a given application. Therefore, some of the situations in which the valves are used are outside the scope of this manual. If you have any questions concerning the use, application or compatibility of the valve with the intended service, contact Metso for more information

The Gas Safety Shutoff and Vent Valve designation is made up of numbers and letters that describe all features of the available variations of these units. Coding is as follows:

EXAMPLE: 1057 3C11A1AG3 A 1" (3), ASME Class 300 reduced port short design valve (C), Carbon Steel Body and Stainless Steel Trim (1), Xtreme Seats (1), Quadra-Powr X Actuator to operate at minimum temperature of -20°F and 60 psig air supply (A), QX2VB02SDM Limit Switch (1), Both Switches Fixed (A), S/S Solenoid (G), 24VDC low power required (3), Spring to Close (Leave Blank)

Figure	1	2	3	4	5	6	7	8	9	10
1057	3	C	1	1	A	1	A	G	3	

1	Valve Size
Code	inches
A*	1/4" NPS
B*	3/8" NPS
1	1/2" NPS
2	3/4" NPS
3	1" NPS
4**	1-1/4" NPS
C	1-1/2" NPS
5	2" NPS
6	3" NPS
7	4" NPS
8	6" NPS
9	8" NPS

* Eliminator Only

** 4000 Series Only and Eliminator Only

2	Valve Style, End Connection & Body Rating	
Code	Style	End Connection and Body Rating
A	7150	1/2"-8", Reduced Port, Flanged, ASME Class 150
B	7300	1/2"-8", Reduced Port, Flanged, ASME Class 300
C	730S	1/2"-8", Reduced Port, Flanged, ASME Class 300 short
D	9150	1/2"-6", Full Port, Flanged, ASME Class 150
E	9300	1/2"-6", Full Port, Flanged, ASME Class 300
F	4000 FB NPT	1/2"-1-1/2", Full Port, NPT, ASME Class 800
G	4000 RB NPT	1/2"-2", Reduced Port, NPT, ASME Class 800
H	9FA Eliminator	1/4"-2", Reduced Port, NPT, ASME Class 600
J	7180**	1/2"-8", Reduced Port, Flanged, ASME Class 150 with PED Certification
K	7380**	1/2"-8", Reduced Port, Flanged, ASME Class 300 with PED Certification
L	738S**	1/2"-8", Reduced Port, Flanged, ASME Class 300 short with PED Certification
M	9180**	1/2"-6", Full Port, Flanged, ASME Class 150 with PED Certification
N	9380**	1/2"-6", Full Port, Flanged, ASME Class 300 with PED Certification
P	4000 FB NPT M**	1/2"-1-1/2", Full Port, NPT, ASME Class 800 with PED Certification
Q	4000 RB NPT M**	1/2"-2", Reduced Port, NPT, ASME Class 800 with PED Certification
R	9FM Eliminator**	1/4"-2", Reduced Port, NPT, ASME Class 600 with PED Certification

** Valves larger than 1" and CE Marked

3 Body and Trim Material		
Code	Material	Temperature Limit
1	2236 - Carbon Steel Body & Stainless Steel Trim	-20°F, -30°C
2	3600 - Stainless Steel Body & Trim	-60°F, -51°C
3	22HB - Carbon Steel Body & Stainless Ball and 17-4PH Stem	-20°F, -30°C
4	36HB - Stainless Steel Body & Stainless Ball and 17-4PH Stem	-60°F, -51°C
5	2271 - Carbon Steel Body & Monel Ball and Stem	-20°F, -30°C
6	3671 - Stainless Steel Body & Monel Ball and Stem	-60°F, -51°C

4 Seat & Seal Material		
Code	Material	Temperature Limit
1	Xtreme Seat, TFM & Graphite Seals*	-40°F, -40°C
2	100% PTFE, PTFE & Graphite Seals	-20°F, -30°C

* Xtreme Seats (XTZ) cannot be used for 8"-7000/6"-9000 Series with QPX5 actuator. ONLY PTFE seats (TTT) are applicable.

5 Actuator Style		
Code	Actuator	Max Supply Pressure
A	QPX_C/M (-20°F, -30°C)	60 psi
B	VPVL_SR4/5 LX (-60°F, -51°C)	60 psi
C	B1J_CL (-60°F, -51°C)	60 psi
D	QPX_B/M (-20°F, -30°C)	60 psi

6 Proof-of-Closure Switch Description		
Code	Switch Code	Temp. Rating
0	No Switch	-
1	QX2VB02SDM, 2SPDT, Explosion Proof, Mechanical	-40°F to 125°F -40°C to 52°C
5	QX33B02SDM, 2SPST, Explosion Proof, Solid State Proximity	-40°F to 125°F -40°C to 52°C
9	QX4XB03SDM-MET21, 2SPDT, Explosion Proof, Solid State Proximity, (Additional Termination Strip) ^b	-40°F to 125°F -40°C to 52°C
A	QX4VB02SDM-MET52, 2, DPDT, Explosion Proof, Mechanical Switches ^a	-40°F to 125°F -40°C to 52°C
B	QX4WB02SDM-MET53, 2, DPDT, Explosion Proof, Mechanical Switches ^a	-40°F to 125°F -40°C to 52°C

7 Proof-of-Closure Switch Set-up	
Code	Set-up
0	No Switch
A	Both Switches Fixed
B	One(1) Switched Fixed, One(1) Switched Free

8 Solenoid Type	
Code	Type
A	Standard (Explosion Proof); 125°F max.
B	High Temp; 140°F max.
E	Stainless Steel High Temp; 140°F max.
F	Manual Reset; 125°F max.
G	Stainless Steel; 125°F max.

9	Solenoid Voltage
Code	Voltage
1	120 VAC; 60 Hz
2	24 VDC
3	24 VDC; Low Power

10	Actuator Spring Direction
Code	Direction
-	Spring-to-Close
0	Spring-to-Open

Subject to change without prior notice.

Metso Flow Control Inc.

Europe, Vanha Porvoontie 229, P.O. Box 304, FI-01301 Vantaa, Finland.
Tel. +358 20 483 150. Fax +358 20 483 151

North America, 44 Bowditch Drive, P.O. Box 8044, Shrewsbury, MA 01545, USA.
Tel. +1 508 852 0200. Fax +1 508 852 8172

South America, Av. Independência, 2500- Iporanga, 18087-101, Sorocaba-São Paulo Brazil.
Tel. +55 15 2102 9700. Fax +55 15 2102 9748/49

Asia Pacific, Haw Par Centre #06-01, 180 Clemenceau Avenue, Singapore 239922.
Tel. +65 6511 1011. Fax +65 6250 0830

China, 11/F, China Youth Plaza, No.19 North Rd of East 3rd Ring Rd, Chaoyang District, Beijing 100020, China.
Tel. +86 10 6566 6600. Fax +86 10 6566 2583.

Middle East, Roundabout 8, Unit AB-07, P.O. Box 17175, Jebel Ali Freezone, Dubai, United Arab Emirates.
Tel. +971 4 883 6974. Fax +971 4 883 6836

www.metso.com/valves

