

MODEL 834 ACCELEROMETER



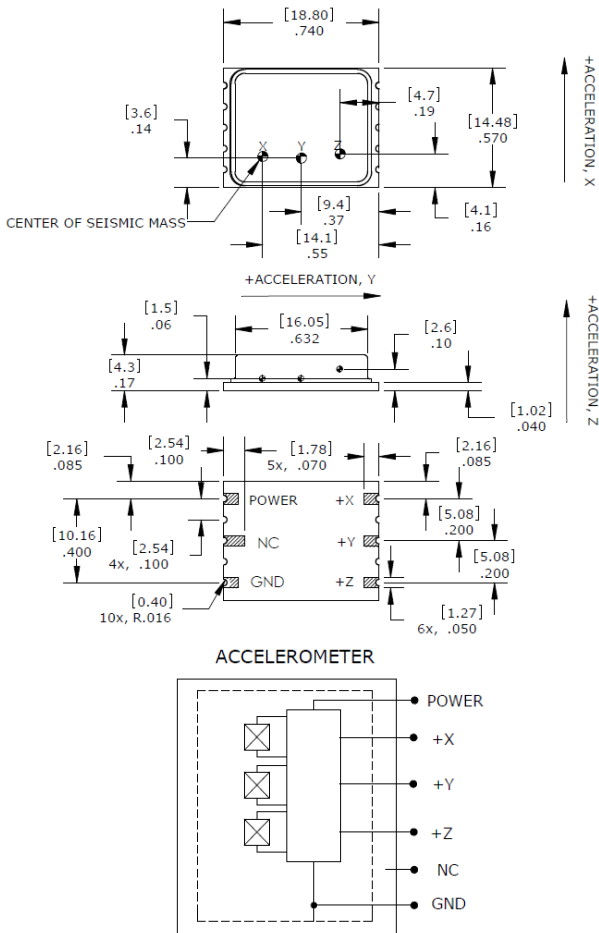
SPECIFICATIONS

- Triaxial Piezoelectric Accelerometer
- <math><4\mu\text{A}</math> Current Consumption
- Full Signal and Power Conditioning
- Circuit Board Mountable

The **Model 834** is a low cost, board mountable triaxial accelerometer designed for high amplitude embedded shock applications. The accelerometer features a maximum current consumption of 4 microamps and incorporates full power and signal conditioning.

The **model 834** is available in $\pm 2000\text{g}$ to $\pm 6000\text{g}$ ranges and provides a flat frequency response up to 2kHz. The model 834M1 provides an extended frequency range to 6kHz.

DIMENSIONS



FEATURES

- $\pm 2000\text{g}$ to $\pm 6000\text{g}$ Dynamic Range
- Low Cost Triaxial
- Hermetically Sealed
- Piezo-ceramic Crystals
- -20° to $+80^\circ\text{C}$ Operating Range
- -40° to $+125^\circ\text{C}$ Available on 834M1
- Single Axis Configurations Available

APPLICATIONS

- Asset Monitoring
- Impact Testing
- System Wake-Up Switch
- Embedded Applications
- Instrumentation

PERFORMANCE SPECIFICATIONS

All values are typical at +24°C, 80Hz and 3.3Vdc excitation unless otherwise stated. Measurement Specialties reserves the right to update and change these specifications without notice.

Parameters			Notes
DYNAMIC			
Range (g)	±2000	±6000	
Sensitivity (mV/g)	0.62	0.20	±30%
Frequency Response (Hz) ¹	2-2000	2-2000	±2dB
Natural Frequency (Hz)	>30000	>30000	
Non-Linearity (%FSO)	±2	±2	
Transverse Sensitivity (%)	<8	<8	
Shock Limit (g)	10000	10000	
ELECTRICAL			
Bias Voltage (Vdc)	Exc Voltage / 2	Exc Voltage / 2	
Total Supply Current (µA)	<4	<4	
Excitation Voltage (Vdc) ³	3.0 to 5.5	3.0 to 5.5	
Output Impedance (Ω)	<100	<100	
Insulation Resistance (MΩ)	>100	>100	@100Vdc
Broadband Noise (µV)	140	120	0.1Hz-10kHz
Spectral Noise (mg/√Hz)	6.5	6.0	@ 10Hz
Spectral Noise (mg/√Hz)	1.3	2.0	@ 100Hz
Spectral Noise (mg/√Hz)	0.8	1.5	@ 1000Hz
Shielding	100%		
Ground Isolation	Isolated from Mounting Surface		
ENVIRONMENTAL			
Temperature Response (%)	-10/+20 from -20°C to +80°C		
Operating Temperature (°C)	-20 to +80		
Storage Temperature (°C)	-20 to +80		
Humidity	Hermetically Solder Sealed		
PHYSICAL			
Sensing Element	Ceramic (shear mode)		
Case Material	Ceramic Base, Nickel Silver Cover		
Weight (grams)	2.6		

¹ A wider frequency response of 2-6000Hz is available on model 834M1
² The model 834 is not to be reflow soldered, manual soldering is recommended. See application note.
³ The model 834 can be operated with 2.8V excitation but the full-scale range will be limited.

Calibration supplied: CS-SENS-0100 NIST Traceable Amplitude Calibration at 80Hz

The information in this sheet has been carefully reviewed and is believed to be accurate; however, no responsibility is assumed for inaccuracies. Furthermore, this information does not convey to the purchaser of such devices any license under the patent rights to the manufacturer. Measurement Specialties, Inc. reserves the right to make changes without further notice to any product herein. Measurement Specialties, Inc. makes no warranty, representation or guarantee regarding the suitability of its product for any particular purpose, nor does Measurement Specialties, Inc. assume any liability arising out of the application or use of any product or circuit and specifically disclaims any and all liability, including without limitation consequential or incidental damages. Typical parameters can and do vary in different applications. All operating parameters must be validated for each customer application by customer's technical experts. Measurement Specialties, Inc. does not convey any license under its patent rights nor the rights of others.

ORDERING INFORMATION

PART NUMBERING Model Number+Range

834-GGGG
|
| _____ Range (2000 is 2000g)

Example: 834-2000
 Model 834, 2000g

NORTH AMERICA

Measurement Specialties, Inc.,
a TE Connectivity Company
1000 Lucas Way
Hampton, VA 23666
Sales and Customer Service
Tel: +1-800-745-8008 or
+1-757-766-1500
Fax: +1-757-766-4297
t&m@meas-spec.com

EUROPE

MEAS France SAS
a TE Connectivity Company
26 Rue des Dames
F78340 Les Clayes-sous-Bois
France
Sales and Customer Service
Tel: +33 (0) 1 79 33 00
Fax: +33(0)1 34 81 03 59
t&m@meas-spec.com

ASIA

Measurement Specialties (China), Ltd.,
a TE Connectivity Company
No. 26 Langshan Road
Shenzhen High-Tech Park (North)
Nanshan District, Shenzhen 518057
China
Sales and Customer Service
Tel: +86 755 3330 5088
Fax: +86 755 3330 5099
t&m@meas-spec.com

TE.com/sensorsolutions

Measurement Specialties, Inc., a TE Connectivity company.

Measurement Specialties, TE Connectivity, TE Connectivity (logo) and EVERY CONNECTION COUNTS are trademarks. All other logos, products and/or company names referred to herein might be trademarks of their respective owners.

The information given herein, including drawings, illustrations and schematics which are intended for illustration purposes only, is believed to be reliable. However, TE Connectivity makes no warranties as to its accuracy or completeness and disclaims any liability in connection with its use. TE Connectivity's obligations shall only be as set forth in TE Connectivity's Standard Terms and Conditions of Sale for this product and in no case will TE Connectivity be liable for any incidental, indirect or consequential damages arising out of the sale, resale, use or misuse of the product. Users of TE Connectivity products should make their own evaluation to determine the suitability of each such product for the specific application.

© 2015 TE Connectivity Ltd. family of companies All Rights Reserved.