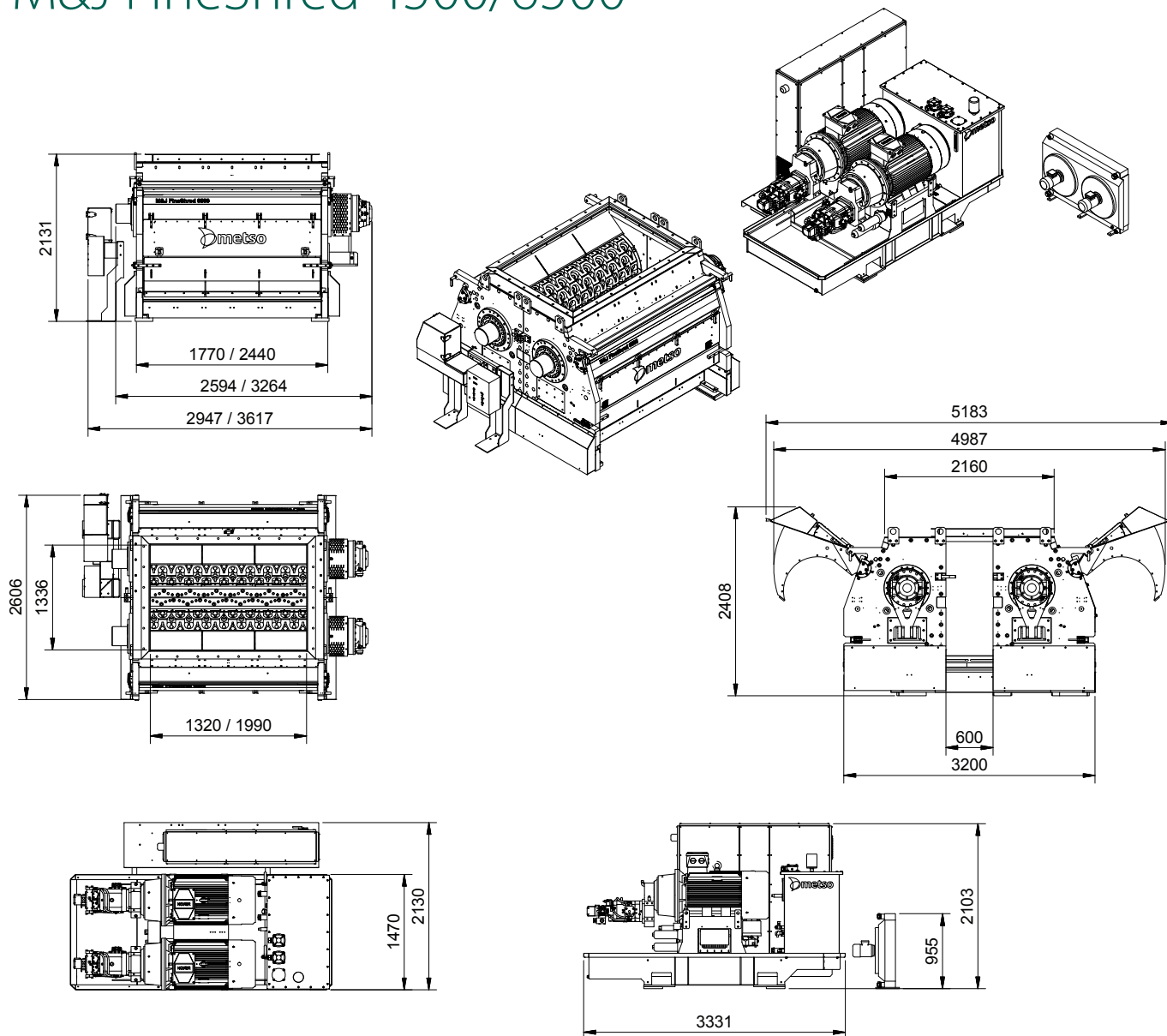


FineShredders from Metso Waste Recycling
M&J FineShred 4500/6500

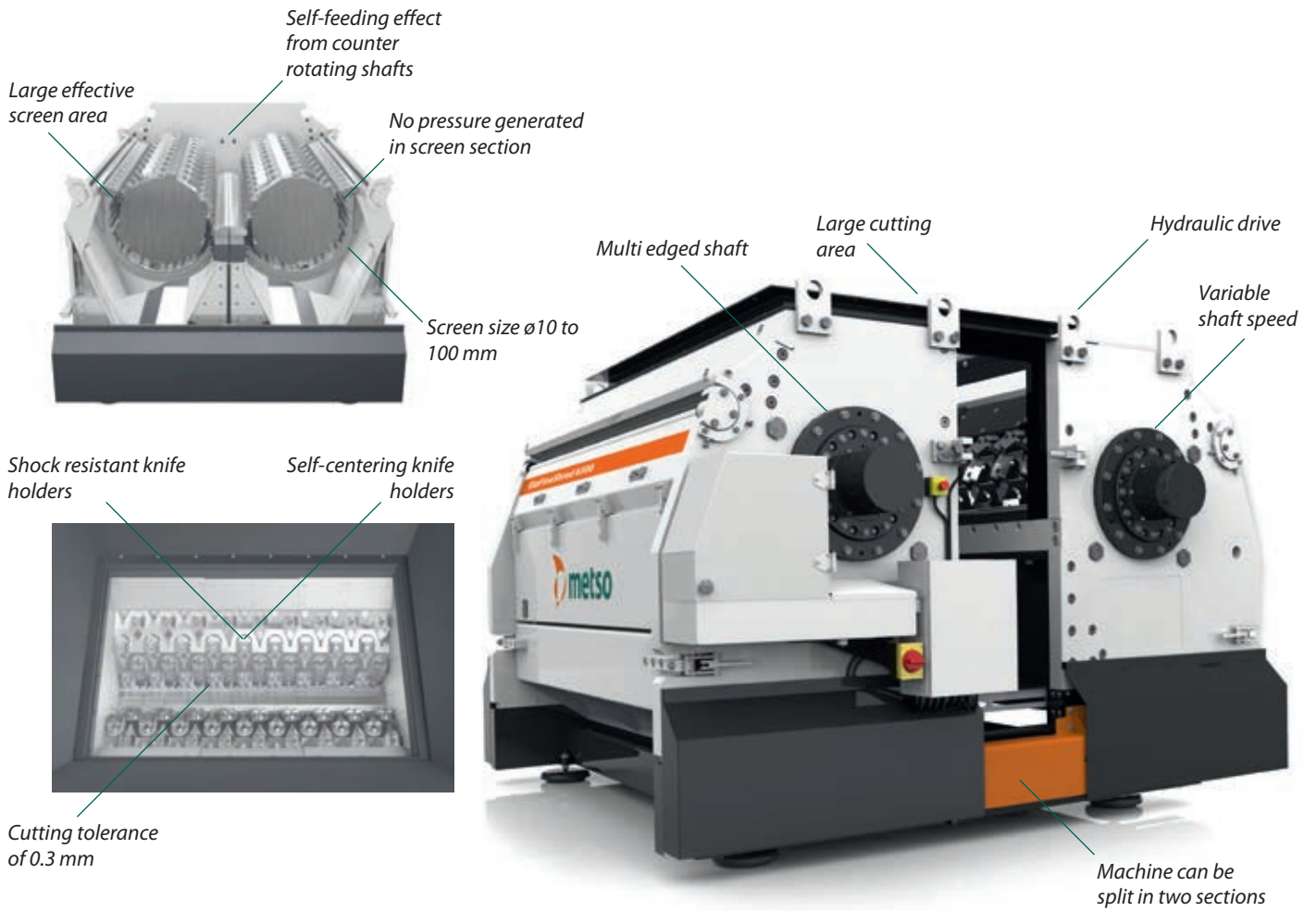


M&J FineShred 4500/6500



SPECIFICATION		4500	6500								
Overall dimensions with standard hopper (LxWxH)	mm	2606 x 2594 x 2131	2606 x 3264 x 2131								
Weight (total included standard conveyor)	ton	24.0	28.0								
Standard color		RAL 9002	RAL 9002								
Assembly of knives on the knife holder		Bolted	Bolted								
Knives info											
Number pr shaft	pcs	72 / 144	108 / 216								
Number counter cut	pcs	92	140								
WSC 40 W. Nr. 1.2379 / X155CrMoV121 (57 - 59 HRC)	mm	40 x 40 x 12	40 x 40 x 12								
WSR 40 W. Nr. 1.2379 / X155CrMoV121 (57 - 59 HRC)	mm	40 x 40 x 12	40 x 40 x 12								
WHC 40 Carbide (64 - 66 HRC) on tip	mm	40 x 40 x 12	40 x 40 x 12								
WHR 40 Carbide (64 - 66 HRC) on tip	mm	40 x 40 x 12	40 x 40 x 12								
Capacity per hour (Input material: <300 mm – presorted – continues feeding. Guide values only)		4500				6500					
Output size	mm	10	20	30	50	80	10	20	30	50	80
RDF	ton/hour	3.0	7.0	9.0	11.0	13.0	5.0	10.0	13.0	16.0	20.0

Features



M&J FineShred 4500/6500

Shafts			
Number of shafts	pcs	2	2
Length / diameter	mm	1336 / 665	2014 / 665
Number of knives	pcs	2 x 72	2 x 108
Standard rotating speed	rpm	100-280	100-280
Power pack		2 x 132 kW	2 x 200 kW
Overall dimensions (LxWxH)	mm	3331 x 1470 x 1770	3331 x 1470 x 1770
Weight exclusive hydraulic oil	ton	4.1	4.4
Service area minimum recommended	mm	1000	1000
Cooling capacity	kW	80	118
Effect	kW	2x132	2 x 200
Drive principle		Double hydrostatic transmission	Double hydrostatic transmission



For more information, contact your local Metso Waste Recycling representative, or contact your dealer directly.

Metso Waste Recycling
Vejlevej 5
DK-8700 Horsens
Denmark
Tel: +45 7626 6400
Fax: +45 7626 6449
recycling.info.dk@metso.com

www.metso.com/recycling

We reserve the right to make changes and improvements without notice, "M&J FineShred 4500-6500". July 2017