



## LCS-02

### LCS Series–Level Sensor

#### Features

- Rapid Push Fit installation
- Reed switch reliability

#### Comments

- Integral AMP Econoseal Connector
- Horizontal - Side entry
- Normally open or normally closed by sensor rotation
- Acetal housing and Polypropylene Float
- EPDM Sealing Grommet

#### Applications

- Water high or low Level
- Un-pressurized Central Heating Systems
- Fuel low level
- Drinking water level
- Organic Solvents

## LCS-02

LCS Series—Level Sensor

### Material

Housing/Shuttle Material	Acetal/Polypropylene
Float Material	Foamed Polypropylene
Contact Material	Ruthenium
Float SG	0.8
Operating Temperature °C	-30 to 60
Medium	Water
Housing/Float Color	Black/White

### Mechanical Specifications

Shock	50g for 11mS duration
Vibration	35g up to 500Hz
Maximum Pressure	0.34 Bar
IP	IP65

### Switching

Switch Action (Reed Switch)	SPST
Max Switching Voltage VDC	48
Max Switching Current Amps	1
Max Switching Load Watt	40
Operate Mode	N/C with float horizontal
Contact Form	A

### Cable

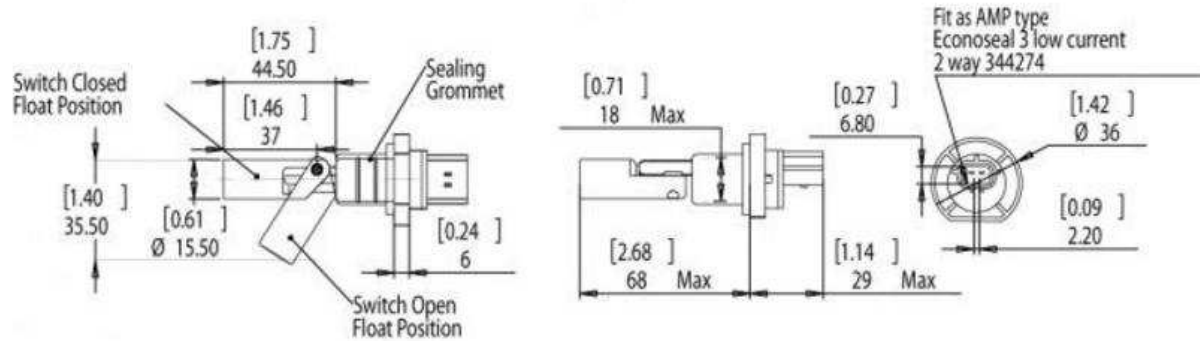
Cable Length	Integral connector
Connection Type	AMP Econoseal connector

### Mounting

Thread	Push Fit
Fitment	External
Mounting	Horizontal

### Technical Drawing

LCS-02



### NORTH AMERICA & EUROPE

MEAS Deutschland GmbH  
a TE Connectivity Company  
Hauert 13  
D-44227 Dortmund  
Germany  
Phone: +49-(0)231-9740-0  
Fax: +49-(0)231-9740-20  
Email: info.de@meas-spec.com

### ASIA

Measurement Specialties (China), Ltd.,  
a TE Connectivity Company  
No. 26 Langshan Road  
Shenzhen High-Tech Park (North)  
Nanshan District, Shenzhen 518057 China  
Tel +86 755 3330 5088  
Fax +86 755 3330 5099

### te.com/sensorsolutions

Measurement Specialties, Inc., a TE Connectivity company.

Measurement Specialties, MEAS, TE Connectivity, TE Connectivity (logo) and EVERY CONNECTION COUNTS are trademarks. All other logos, products and/or company names referred to herein might be trademarks of their respective owners.

The information given herein, including drawings, illustrations and schematics which are intended for illustration purposes only, is believed to be reliable. However, TE Connectivity makes no warranties as to its accuracy or completeness and disclaims any liability in connection with its use. TE Connectivity's obligations shall only be as set forth in TE Connectivity's Standard Terms and Conditions of Sale for this product and in no case will TE Connectivity be liable for any incidental, indirect or consequential damages arising out of the sale, resale, use or misuse of the product. Users of TE Connectivity products should make their own evaluation to determine the suitability of each such product for the specific application.

© 2016 TE Connectivity Ltd. family of companies All Rights Reserved.