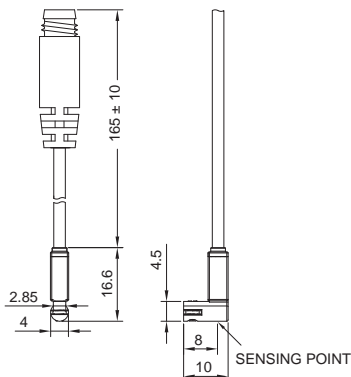


COMPACT SIZE



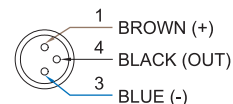
■ DIMENSIONS

CS-38D, CS-38N, CS-38P /
CS-38D-QD, CS-38N-QD, CS-38P-QD

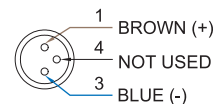


■ QD PINOUT

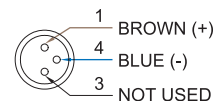
*3 wire QD wiring



*2 wire QD wiring



*2 wire EQD wiring



■ SPECIFICATIONS

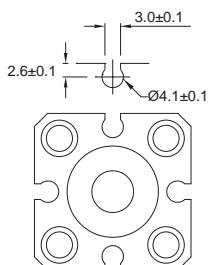
Unit:mm

TYPE	CS-38D	CS-38N	CS-38P
CONNECT DIAGRAM			
CHARACTERISTICS			
Wiring Method	2-Wire Type	3-Wire Type	
Switching Logic		Solid State Output, Normally Open	
Sensor Type	-	NPN Current Sinking	PNP Current Sourcing
Operating Voltage	10~28V DC	5~28V DC	
Switching Current	4~20mA max.	50mA max.	
Contact Rating (*1)	0.6W max.	1.5W max.	
Current Consumption	-	10mA @ 24V DC max.	
Voltage Drop	3.5V max.	0.5V @ 50mA max.	
Leakage Current	0.8mA max.	0.01mA max.	
Indicator		Red LED	
Cable	ø2.6, 2C, PVC	ø2.6, 3C, PVC	
Operating Frequency		1000Hz	
Magnet Requirement (*2)		40Gauss	
Temperature Range		-10~70°C (+14~158°F)	
Shock (*3)		50G	
Vibration (*4)		9G	
Enclosure Classification		IEC 60529 IP67 (NEMA 6)	
Protection Circuit (*5)	4	3,4	

NOTE:

1. WARNING: Never exceed rating (Watt=Voltage x Amperage). Permanent damage to sensor will occur.
2. Measuring standard target: ø15.5Xø8X5t (Anisotropy rubber magnet)
3. Sin wave / X, Y, Z 3 directions / 3 times each direction / 11 ms each time.
4. Double amplitude 1.5 mm / 10Hz~55Hz~10Hz (Sweep 1 min) / X, Y, Z 3 directions / 1 hour each time.
5. 1=None / 2=Short-circuit / 3=Power Source Reverse polarity / 4=Surge Suppression

■ GROOVE DIMENSIONS



Unit:mm