

AP60

RoHS

SERIES

Pressure Sensor

ORDERING INFORMATION

A P 6 0 P □ - F 1

Pressure Range

V : Vacuum 10 ~ -101 kPa
 (1.5 ~ -14.7 psi)
 P : Positive -0.100 ~ 1.000 MPa
 (-14.5 ~ 145.0 psi)

Back Light

Blank : Back light unavailable
 L : Back light available

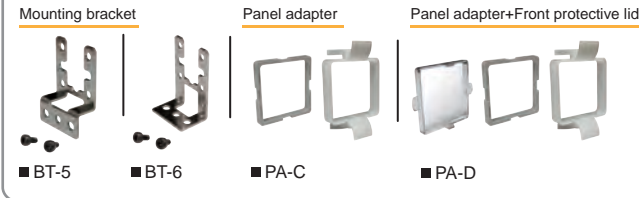
Optional Parts

BT-5 : Mounting bracket
 BT-6 : Mounting bracket
 PA-C : Panel adapter
 PA-D : Panel adapter + Front protective lid

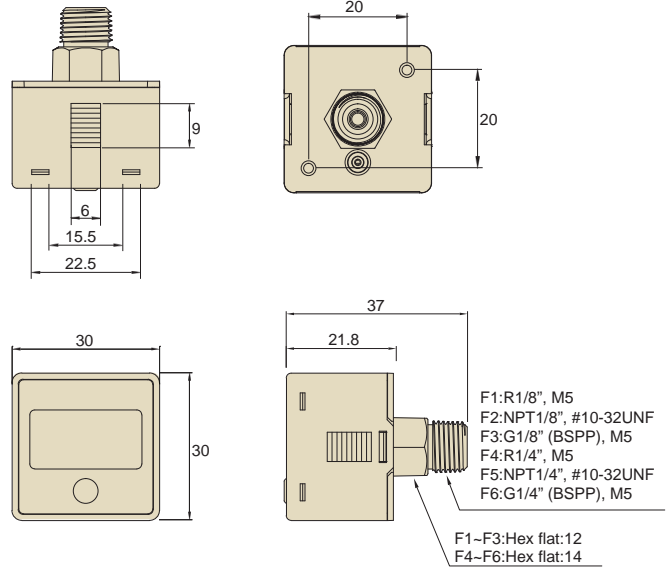
Pressure Port

F1 : R1/8", M5
 F2 : NPT1/8", #10-32 UNF
 F3 : G1/8"(BSPP), M5
 F4 : R1/4", M5
 F5 : NPT1/4", #10-32 UNF
 F6 : G1/4"(BSPP), M5

Optional Parts

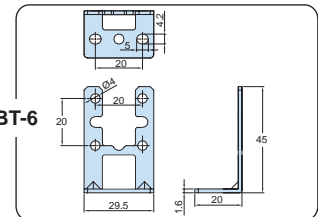
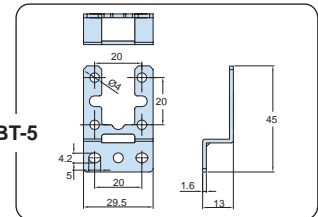
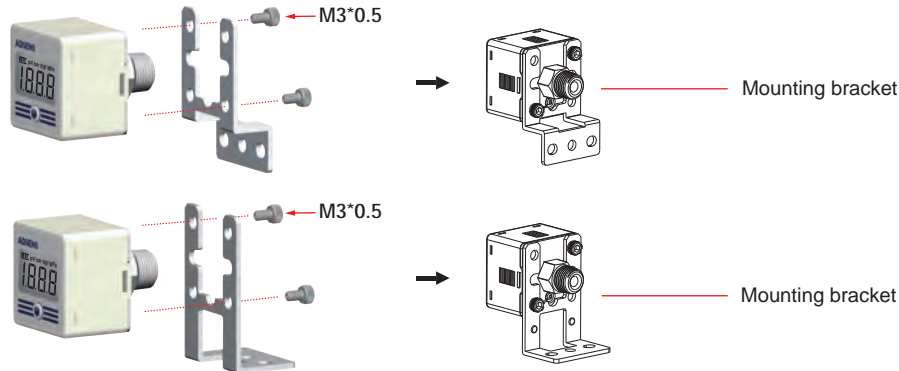


DIMENSIONS

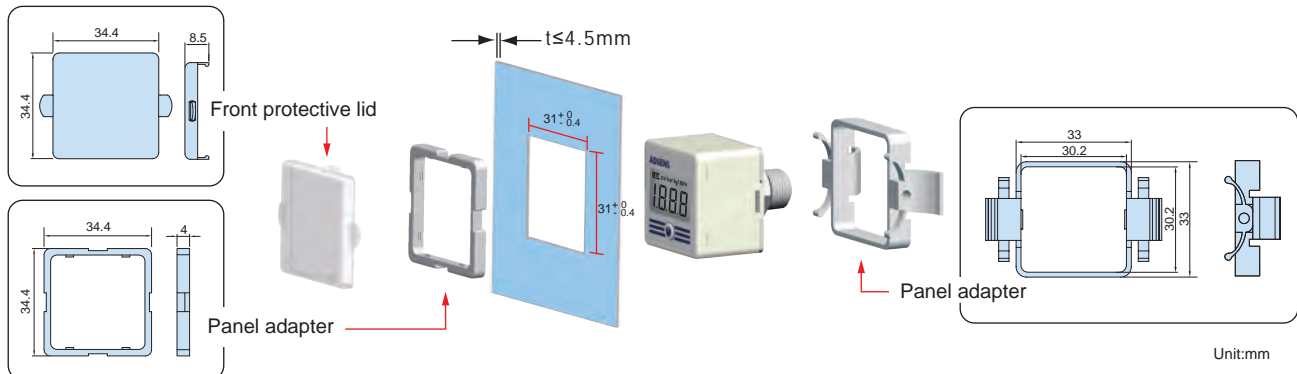


OPTIONAL PARTS DIMENSIONS

1 Mounting Bracket



2 Panel Mount Adapter + Front Protective Lid



Unit:mm