



## MEAS LTA LEVEL TRANSDUCERS

- Submersible Level Transducer
- Municipal, Industrial and Environmental

The LTA Level Transducer is a submersible hydrostatic level transducer specifically designed to meet the rigorous environments encountered in liquid level measurements and control.

### Applications

- Lift Station Monitoring
- Pump Control
- Tank Liquid Level
- Landfill Leachate Monitoring
- Construction Bypass Pumping
- Dewatering

### Features

#### Standard

- 0.25% FSO Accuracy
- 316 Stainless Steel Body
- One Year Warranty
- Pre-calibrated Pressure Ranges

#### Optional

- 0.10% FSO Accuracy
- Titanium Body
- Two Year Warranty
- Custom Pressure Ranges
- Intrinsically Safe
- Lightning Protection

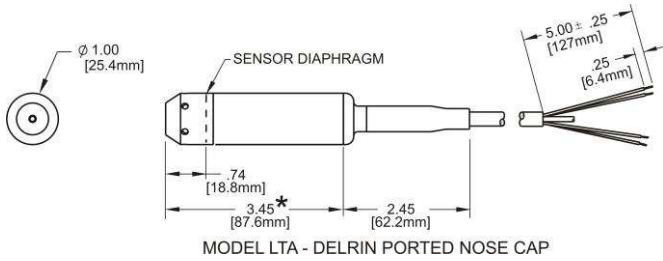
## MEAS LTA LEVEL TRANSDUCER

### Specifications

STATIC PERFORMANCE		
Static Accuracy (combined effects of non-linearity, hysteresis and repeatability, best fit straight line method)	Standard - $\pm 0.25\%$ FSO Optional - $\pm 0.10\%$ FSO	BFSL method For absolute/sealed reference min. range 0-15 PSI
Resolution	$\pm 0.0001\%$ FS	
ENVIRONMENTAL		
Wetted Materials	316 SS or Titanium; POM; FKM; Polyurethane or ETFE	
Compensated Temp Range	0 to 50°C	
Thermal Error (maximum allowable deviation from the Best Fit Straight Line due to a change in temperature)	$\pm 0.1\%$ FSO/°C	
Operating Temp Range	-20 to 60 °C	When attached to polyurethane cable
Protection Rating	IP 68, NEMA 6P	
ELECTRICAL		
Excitation	9-28V – mA output 9-28V – VDC output 15-28V – VDC output 10-28V – VDC output	4-20 0-5V, 0-2.5V, 0-4V 0-10V 1.5-7.5V
Input Current	20 mA max 3.5 mA max	For mA output For VDC output
Output	Standard - 4-20mA Optional - 0-4 VDC, 0-5 VDC, 0-2.5 VDC, 0-10 VDC, 1.5-7.5 VDC	For ranges < 5 ft (1.5m) H <sub>2</sub> O, only 4-20mA output is available
Zero Offset	$\pm 0.25$ mA for mA output < 0.25 VDC for VDC output	
Output Impedance	See loop diagram for mA output 20 ohm for VDC output	
Insulation Resistance	100 mega ohm at 50 VDC	
Circuit Protection	Polarity, surge/shorted output	
CERTIFICATIONS		
	Standard - WEEE/RoHS, CE compliant	EN 61326-1:2001 and 61326-2-3:2006 Waste from Electrical and Electronic Equipment (WEEE) and Restrictions on the use of Hazardous Substances (RoHS)
	Optional - UL, CUL and FM	Class I, II, III, Div. 1, Groups A,B,C,D,E,F&G
PHYSICAL		
Approximate Weight	0.44 lbs. (198 g) transducer 0.05 lbs./ft. (79 g/m) cable	
Cable Jacket Material	Standard - Polyurethane Optional - ETFE	
Cable Pull Strength	200 lbs. (90 kg)	
Cable Number of Conductors	4	
Cable Conductor Size	22 AWG	
Cable Seal	Molded Polyurethane FKM Gland	For polyurethane cable For ETFE cable
LIGHTNING PROTECTION (power supply needs to be limited to 150mA to avoid lock up of the gas tube after a suppression event)		
Life Expectancy	>1,000 Operations	
Peak Clamping Voltage	36 Volts	
Response Time	<10 nsecs	
Shunts	20,000 Amperes	

# MEAS LTA LEVEL TRANSDUCER

## Dimensions

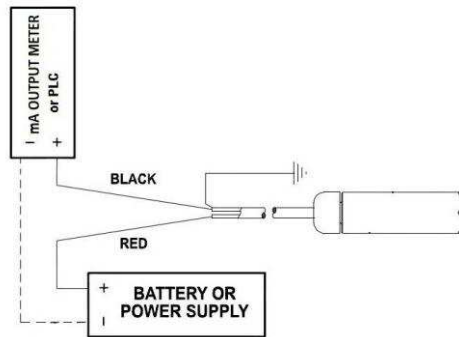
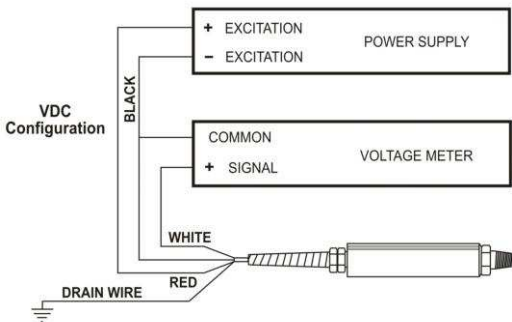
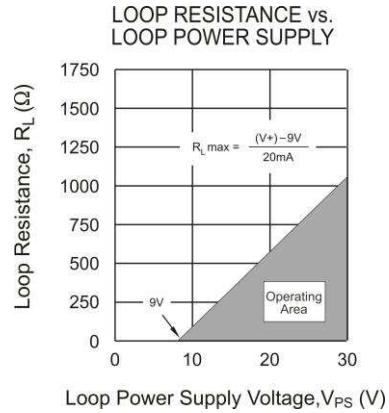


STANDARD PRESSURE RANGES FOR 0.25% ACCURACY				
Pressure Range (PSI)	Feet H <sub>2</sub> O	Vented	Sealed	Absolute
0-001	2.3 ft	X	N/A	N/A
0-003	6.9 ft	X	N/A	N/A
0-005	11.5 ft	X	X	N/A
0-010	23.1 ft	X	X	N/A
0-015	34.6 ft	X	X	X
0-030	69.2 ft	X	X	X
0-050	115.4 ft	X	X	X
0-100	230.7 ft	X	X	X
0-300	692.2 ft	X	X	X

Custom (Whole Number) Ranges also available

## Electrical Termination/Loop Resistance

ELECTRICAL TERMINATION		
22AWG CONDUCTORS IN A SHIELDED CABLE WITH VENT TUBE		
4-20 mA	RED	+ EXCITATION
	BLACK	- EXCITATION
0-5 VDC	RED	+ EXCITATION
	BLACK	- EXCITATION
	WHITE	+ SIGNAL
ALL	DRAIN WIRE	SHIELD



# MEAS LTA LEVEL TRANSDUCER

## Ordering Information

<b>TRANSDUCER</b>			
L	T		
↓	↓		
Submersible Level Transducer			
<b>PRESSURE PORT</b>			
A	Nose cap		
↓	↓		
<b>OUTPUT</b>			
8	4 – 20 mA		
1	0 – 2.5 VDC		
2	0 – 4 VDC		
3	0 – 5 VDC		
4	0 – 10 VDC		
5	1.5 – 7.5 VDC		
G	4-20 mA w/Lightning Protection		
A	0-2.5 VDC w/Lightning Protection		
B	0-4 VDC w/Lightning Protection		
C	0-5 VDC w/Lightning Protection		
D	0-10 VDC w/Lightning Protection		
E	1.5-7.5 VDC w/Lightning Protection		
↓	↓		
<b>CABLE TYPE</b>			
A	Polyurethane		
B	ETFE		
D	None (Gland Seal Only)		
↓	↓		
<b>ACCURACY</b>			
B	±0.25% FSO		
R	±0.25% FSO with Cal Report		
A	±0.10% FSO		
S	±0.10% FSO with Cal Report		
↓	↓		
<b>INTRINSIC SAFETY APPROVALS</b>			
B	UL, FM & CUL		
D	None		
↓	↓		
<b>WARRANTY<sup>1</sup></b>			
A	Standard one year Warranty		
B	Custom label one year Warranty		
J	Extended two year Warranty		
K	Custom Label extended two year Warranty		
↓	↓		
<b>MATERIAL</b>			
S	Stainless Steel		
T	Titanium		
↓	↓		
<b>ELECTRICAL CONNECTION</b>			
A	Overmold (Cable Type A Only)		
B	Gland Seal		
D	Overmold w/ 1/2" – 14 NPT Conduit (Cable Type A Only)		
F	Gland Seal w/ 1/2" – 14 NPT Conduit		
↓	↓		
<b>PRESSURE RANGE</b>			
x	x	x	Refer to chart page 1
↓	↓	↓	↓
<b>LABEL UNITS</b>			
P	PSI		
M	M H <sub>2</sub> O		
F	Ft. H <sub>2</sub> O		
↓	↓	↓	↓
<b>PRESSURE REFERENCE</b>			
A	Absolute		
G	Vented Gage		
S	Sealed Gage		
↓	↓	↓	↓
<b>CABLE LENGTH (FT)</b>			
x	x	x	Cable length in feet
↓	↓	↓	↓
L	T	A	

<sup>1</sup> Contact Measurement Specialties if private labeling is required.

### NORTH AMERICA

Measurement Specialties, Inc.,  
a TE Connectivity company  
1000 Lucas Way  
Hampton, VA 23666  
Tel : 1-757-766-1500  
Fax : 1-757-766-4297  
Toll Free: 1-800-745-8008  
Email: WL.Sales@te.com

### EUROPE

Measurement Specialties (Europe), Ltd.,  
a TE Connectivity company  
26 Rue des Dames  
78340 Les Clayes-sous-Bois, France  
Tel : +33 (0) 130 79 33 00  
Fax : +33 (0) 134 81 03 59  
Email: customercare.lcsb@te.com

### ASIA

Measurement Specialties (China), Ltd.,  
a TE Connectivity company  
No. 26 Langshan Road  
Shenzhen High-Tech Park (North)  
Nanshan District, Shenzhen 518057 China  
Tel : +86 755 3330 5088  
Fax : +86 755 3330 5099  
Email: customercare.shzn@te.com

### te.com/sensorsolutions

Measurement Specialties Inc., a TE Connectivity company.

Measurement Specialties (MEAS), American Sensor Technologies (AST), TE Connectivity, TE Connectivity (logo) and EVERY CONNECTION COUNTS are trademarks. All other logos, products and/or company names referred to herein might be trademarks of their respective owners.

The information given herein, including drawings, illustrations and schematics which are intended for illustration purposes only, is believed to be reliable. However, TE Connectivity makes no warranties as to its accuracy or completeness and disclaims any liability in connection with its use. TE Connectivity's obligations shall only be as set forth in TE Connectivity's Standard Terms and Conditions of Sale for this product and in no case will TE Connectivity be liable for any incidental, indirect or consequential damages arising out of the sale, resale, use or misuse of the product. Users of TE Connectivity products should make their own evaluation to determine the suitability of each such product for the specific application.

© 2016 TE Connectivity Ltd. family of companies All Rights Reserved.

