

CS-6200 SERIES

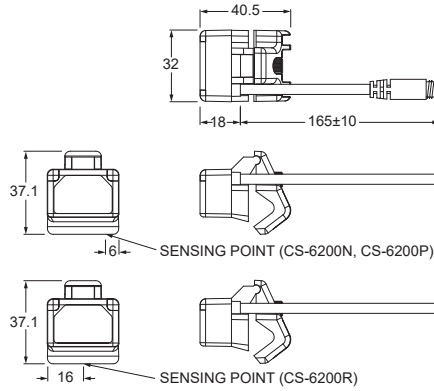


Magnetic Sensor



■ DIMENSIONS

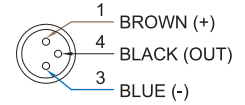
CS-6200R, CS-6200N, CS-6200P /
CS-6200R-QD, CS-6200N-QD, CS-6200P-QD



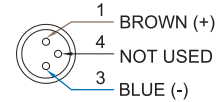
Unit:mm

■ QD PINOUT

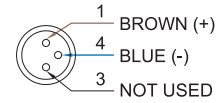
*3 wire QD wiring



*2 wire QD wiring



*2 wire EQD wiring



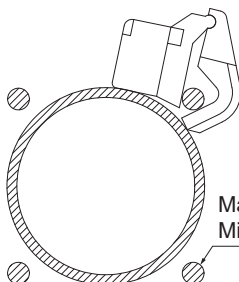
■ SPECIFICATIONS

TYPE	CS-6200R	CS-6200N	KT-6200P
CONNECT DIAGRAM			
CHARACTERISTICS			
Wiring Method	2-Wire Type	3-Wire Type	
Switching Logic	SPST, Normally Open	Solid State Output, Normally Open	
Sensor Type	Reed Switch	NPN Current Sinking	PNP Current Sourcing
Operating Voltage	5~240V DC/AC	5~30V DC	
Switching Current	1Amp. max.		
Contact Rating (*1)	30W max.		
Current Consumption	-	42mA @ 24V DC max.	30mA @ 24V DC max.
Voltage Drop	3.5V max.	1.5V @ 0.5A max.	
Leakage Current	-	0.01 mA max.	
Indicator	Red LED	Power : Green LED , Output : Red LED	
Cable	ø4.5, 2C, PVC	ø4.5, 3C, PVC	
Operating Frequency	200 Hz	1000 Hz	
Magnet Requirement (*2)	80 Gauss	40 Gauss	
Temperature Range	-10~70°C (+14~158°F)		
Shock (*3)	30G	50G	
Vibration (*4)	9G		
Enclosure Classification	IEC 60529 IP67 (NEMA 6)		
Protection Circuit (*5)	4	3,4	

NOTE:

1. WARNING: Never exceed rating (Watt=Voltage x Amperage). Permanent damage to sensor will occur.
2. Measuring standard target: ø15.5xø8X5t (Anisotropy rubber magnet)
3. Sin wave / X, Y, Z 3 directions / 3 times each direction / 11 ms each time.
4. Double amplitude 1.5 mm / 10Hz~55Hz~10Hz (Sweep 1 min) / X, Y, Z 3 directions / 1 hour each time.
5. 1=None / 2=Short-circuit / 3=Power Source Reverse polarity / 4=Surge Suppression

■ SELF MOUNTING CLAMPS



Max. tie-rod diameter Ø17.5
Min. tie-rod diameter Ø6



Unit:mm