



## **RCS05-20N**

### RCS Series–Level Sensor

#### Features

- High or low level sensing
- External fitting components
- Reed Switch reliability
- Nitrile sealing washer
- Easy installation

#### Comments

- Normally open or normally closed by float reversal
- Suitable for a wide range of liquids
- Side entry with Vertical float travel

#### Applications

- Fuel low level
- Chemical high or low level
- Sump Level
- Alcohols
- Cooking Oil

## RCS05-20N

RCS Series—Level Sensor

### Material

Housing/Shuttle Material	Nylon 6.6
Float Material	Nylon 6.6
Contact Material	Ruthenium
Float SG	0.66
Operating Temperature °C	-30 to 105
Housing Color	Blue
Float Color	Blue

### Cable

Cable Length	2 x 0.1M
Connection Type	Stripped Cables
Cable Type	22 AWG 16/0.2mm PVC insulated
Cable Color	Black/Black

### Mechanical Specifications

Shock	3 half-sine pulses of 11mS, 30G
Vibration	35g up to 500Hz
Maximum Pressure	4.7 Bar
Float Diameter	20mm
IP	IP65

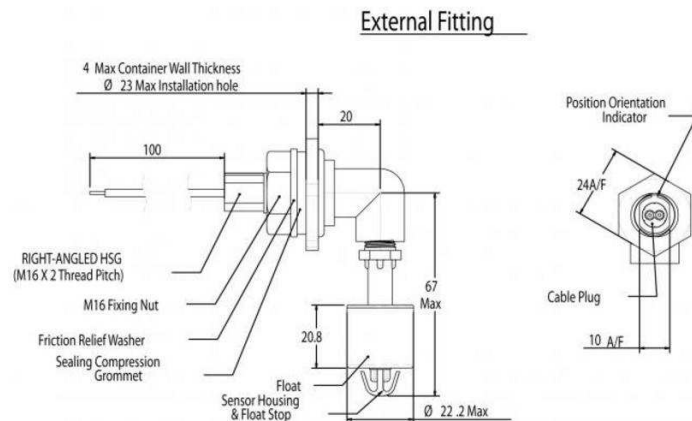
### Mounting

Thread	M16
Fitment	External
Mounting	Any Axis

### Switching

Switch Action (Reed Switch)	SPST
Max Switching Voltage VDC	200
Max Switching Voltage VAC	250
Max Switching Current Amps	1
Max Switching Load Watt	30
Operate Mode	N/C with float horizontal
Contact Form	A

### Technical Drawing



### NORTH AMERICA & EUROPE

MEAS Deutschland GmbH  
a TE Connectivity Company  
Hauert 13  
D-44227 Dortmund  
Germany  
Phone: +49-(0)231-9740-0  
Fax: +49-(0)231-9740-20  
Email: info.de@meas-spec.com

### ASIA

Measurement Specialties (China), Ltd.,  
a TE Connectivity Company  
No. 26 Langshan Road  
Shenzhen High-Tech Park (North)  
Nanshan District, Shenzhen 518057 China  
Tel +86 755 3330 5088  
Fax +86 755 3330 5099

### te.com/sensorsolutions

Measurement Specialties, Inc., a TE Connectivity company.

Measurement Specialties, MEAS, TE Connectivity, TE Connectivity (logo) and EVERY CONNECTION COUNTS are trademarks. All other logos, products and/or company names referred to herein might be trademarks of their respective owners.

The information given herein, including drawings, illustrations and schematics which are intended for illustration purposes only, is believed to be reliable. However, TE Connectivity makes no warranties as to its accuracy or completeness and disclaims any liability in connection with its use. TE Connectivity's obligations shall only be as set forth in TE Connectivity's Standard Terms and Conditions of Sale for this product and in no case will TE Connectivity be liable for any incidental, indirect or consequential damages arising out of the sale, resale, use or misuse of the product. Users of TE Connectivity products should make their own evaluation to determine the suitability of each such product for the specific application.

© 2016 TE Connectivity Ltd. family of companies All Rights Reserved.