

## Masters and gateways

Model number  
**GW458074A**  
**GW458100A (ETL)**



### AS-Interface for Allen Bradley ControlLogix PLC's

The AS-Interface scanner module serves to connect the AS-Interface to Allen Bradley ControlLogix PLCs. The scanner takes one slot of the PLC and acts as a complete master for two (2) AS-Interface networks. All I/O data and status bits are mapped to the PLC's I/O files.

#### Features

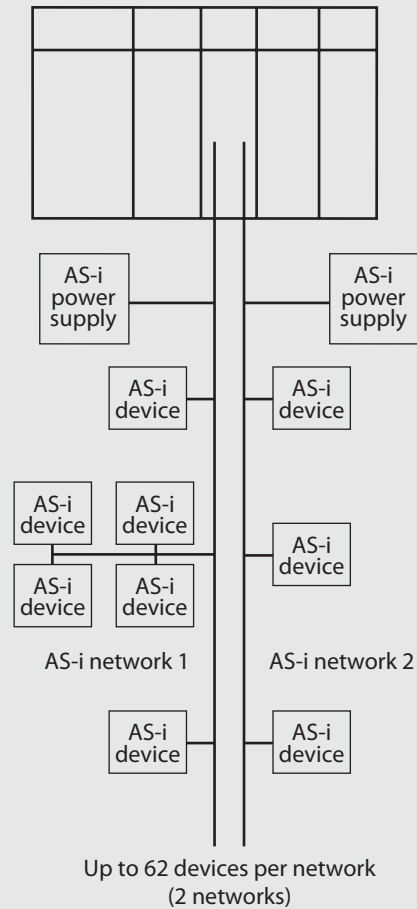
- Serial diagnostics port: see SW462006A for cable and software
- ETL approved Class I Division 2 (GW458100A)



Specifications	
AS-Interface master version	3.0
PLC chassis	ControlLogix
AS-Interface channels	2
Operating current	70mA (from AS-Interface 1) 70mA (from AS-Interface 2)
Operating voltage	30 VDC AS-Interface voltage
AS-Interface cycle time	Cycle time = 150 microsec. x (AS-Interface salves +2)
Displays	Slave addresses and error messages, 2-digit LED AS-Interface power on, green LED Communication active, green LED Communication error, red LED AS-Interface voltage normal, green LED AS-Interface normal operation, green LED Automatic address program enabled, green LED Master in configuration mode, yellow LED
Operating temperature	-0° to +55°C (-32° to +131°F)
Storage temperature	-25° to +85°C (-13° to +185°F)
Housing	Engineered resin, DIN rail mounting
Dimensions (L, W, H)	146mm, 35mm, 132mm
Ingress protection	IP20, field enclosure required
Weight	420g (0.93 pounds)
Approvals (GW458100A)	ETL approved Class I Division 2, groups A,B,C,D



### Schematic drawing



## Masters and gateways

Model number  
**GW458043A**



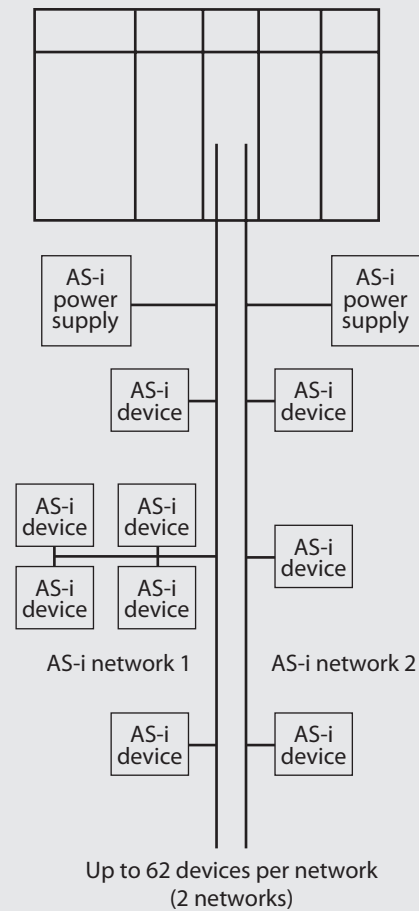
### AS-Interface for Allen Bradley SLC500 PLC

The AS-Interface scanner module serves to connect the AS-Interface to an Allen Bradley SLC 5/03 or later. The scanner takes one slot of the PLC backplane and acts as a complete master for two (2) AS-Interface networks. All I/O data is mapped to the SLC's I/O files and all status bits are mapped to the M0 and M1 files. The module also features an RS232 serial port for uploading configuration files.



Specifications	
AS-Interface master version	2.1
PLC chassis	SLC 5/03 or later
AS-Interface channels	2
Maximum I/O	I/O: 32 words in, 32 words out M0 file: words in-typical (113) max (461) M1 file: words in-typical (113) max (461)
Communication ports	2- 4pin Phoenix connectors (1 per network) 1- 9pin serial configuration port
Displays	Fault LED, overall scanner status Comm LED (channel 1), status of network Comm LED (channel 2), status of network 2
Backplane current	500mA @ 5 VDC
Processor	Intel 80C188
RAM	28K bytes
Flash memory	512K bytes (firmware and config storage)
Operating temperature	0° to +60°C (32° to +140°F)
Storage temperature	-40° to +85°C (-40° to +185°F)

### Schematic drawing



## Masters and gateways

Model number  
**GW458094A**  
**GW458118A (ETL)**



### AS-Interface to DeviceNet gateway

The AS-Interface/DeviceNet gateway serves to connect the AS-Interface to a DeviceNet network. The gateway acts as a complete master for the AS-Interface network and as a slave for DeviceNet (group 2 slave only). All AS-Interface functions can be called up via DeviceNet.

#### Features

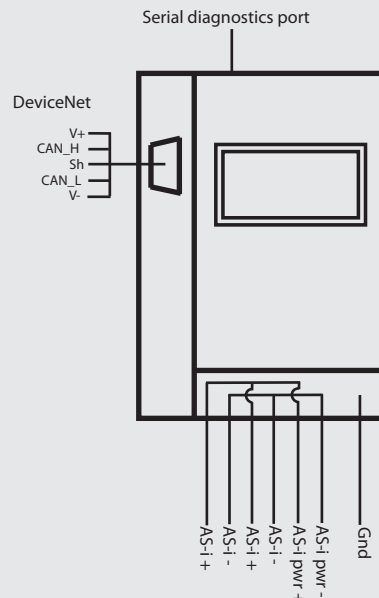
- Duplicate address detection
- AS-Interface peripheral fault diagnostics
- Version 3.0 master-compatible with all 2.0-3.0 slaves and 7.3 profile analog modules
- Serial diagnostics port: see SW462008A for software and cable
- ETL approved for Class I Division 2 (GW458118A)



Specifications	
AS-Interface master version	3.0
Interface	DeviceNet (5 pin plug)
Operating current	200mA (from AS-Interface)
Operating voltage	30VDC AS-Interface voltage
AS-Interface cycle time	Cycle time = 150 microsec. x (AS-Interface Slaves +2)
Displays	LCD display DeviceNet voltage on, green LED AS-Interface power on, green LED Module/Net Status (MNS), green/red LED Serial communication active, green LED Configuration error, red LED AS-Interface voltage normal, green LED AS-Interface normal operation, green LED Automatic address program enabled, green LED Master in configuration mode, yellow LED
Operating temperature	0° to +55°C (+32° to +131°F)
Storage temperature	-25° to +85°C (-13° to +185°F)
Housing	Stainless steel, DIN rail mounting
Dimensions (L, W, H)	120mm, 85mm, 83mm
Ingress protection	IP20, field enclosure required
Weight	520g (1.1 pounds)
Approvals (GW458118A)	ETL approved Class I Division 2, groups A,B,C,D



### Schematic drawing



### Graphical display

The interactive graphical display on this gateway enables the entire AS-Interface network to be commissioned and the connected devices to be completely tested without a PC, PLC or host system. It also enables the user to complete all tasks previously requiring the "AS-Interface Control Tools" software package or hand-held. This allows for simpler and faster commissioning.

#### Features

- Set device addresses
- Test inputs and outputs
- Perform network diagnostics
- View error counter

# Masters and gateways

Model number  
**GW458096A**  
**GW458122A (ETL)**



## Dual channel AS-Interface to DeviceNet gateway and single power supply feature

The dual channel AS-Interface/DeviceNet gateway serves to connect the AS-Interface to a DeviceNet network. The gateway acts as a complete master for two AS-Interface networks and as a slave for DeviceNet (group 2 slave only). All AS-Interface functions can be called up via DeviceNet.

### Features

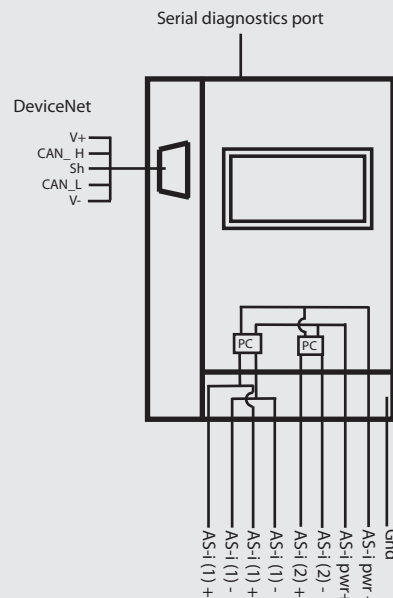
- Duplicate address detection
- AS-Interface peripheral fault diagnostics
- Version 3.0 master-compatible with all 2.0-3.0 slaves and 7.3 profile analog modules
- Serial diagnostics port: see SW462008A for cable and software
- ETL approved Class I Division 2 (GW458122A)
- Single power supply for 2 networks



Specifications	
AS-Interface master version	3.0
Interface	DeviceNet
Operating current	250mA
Operating voltage	30VDC, requires (1) 30VDC power supply
AS-Interface cycle time	Cycle time = 150 microsec. x (AS-Interface slaves +2)
Displays	LCD display DeviceNet voltage on, green LED AS-Interface power on, green LED Module/Net Status (MNS), green/red LED Serial communication active, green LED Configuration error, red LED AS-Interface voltage normal, green LED AS-Interface normal operation, green LED Automatic address program enabled, green LED Master in configuration mode, yellow LED
Operating temperature	0° to +55°C (+32° to +131°F)
Storage temperature	-25° to +85°C (-13° to +185°F)
Housing	Stainless steel, DIN rail mounting
Dimensions (L, W, H)	120mm, 85mm, 83mm
Ingress protection	IP20, field enclosure required
Weight	590g (1.3 pounds)
Approvals (GW458122A)	ETL approved Class I Division 2, groups A,B,C,D



## Schematic drawing



## Graphical display

The interactive graphical display on this gateway enables the entire AS-Interface network to be commissioned and the connected devices to be completely tested without a PC, PLC or host system. It also enables the user to complete all tasks previously requiring the "AS-Interface Control Tools" software package or hand-held. This allows for simpler and faster commissioning.

### Features

- Set device addresses
- Test inputs and outputs
- Perform network diagnostics
- View error counter

## Masters and gateways

Model number  
**GW458098A**  
**GW458120A (ETL)**



### Dual channel AS-Interface to DeviceNet gateway

The dual channel AS-Interface/DeviceNet gateway serves to connect the AS-Interface to a DeviceNet network. The gateway acts as a complete master for two AS-Interface networks and as a slave for DeviceNet (group 2 slave only). All AS-Interface functions can be called up via DeviceNet.

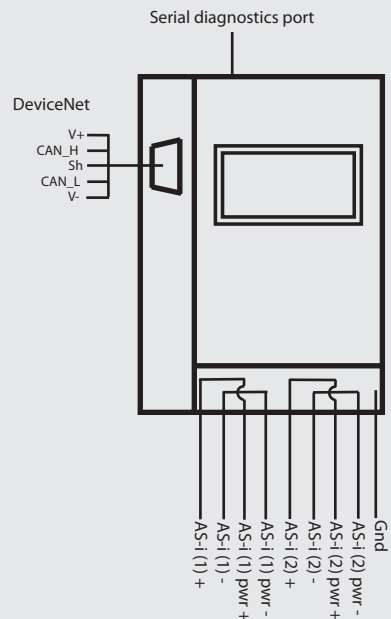
#### Features

- Duplicate address detection
- AS-Interface peripheral fault diagnostics
- Version 3.0 master-compatible with all 2.0-3.0 slaves and 7.3 profile analog modules
- Serial diagnostics port: see SW462008A for software and cable
- ETL approved for class 1 division 2 (GW458120A)



Specifications	
AS-Interface master version	3.0
Interface	DeviceNet (5 pin plug)
Operating current	200mA (from AS-Interface 1) 70mA (from AS-Interface 2)
Operating voltage	30 VDC AS-Interface voltage
AS-Interface cycle time	Cycle time = 150 microsec. x (AS-Interface slaves +2)
Displays	LCD display DeviceNet voltage on, green LED AS-Interface power on, green LED Module/Net Status (MNS), green/red LED Serial communication active, green LED Configuration error, red LED AS-Interface voltage normal, green LED AS-Interface normal operation, green LED Automatic address program enabled, green LED Master in configuration mode, yellow LED
Operating temperature	0° to +55°C (+32° to +131°F)
Storage temperature	-25° to +85°C (-13° to +185°F)
Housing	Stainless steel, DIN rail mounting
Dimensions (L, W, H)	120mm, 85mm, 83mm
Ingress protection	IP20, field enclosure required
Weight	520g (1.1 pounds)
Approvals (GW458120A)	ETL approved Class I Division 2, groups A,B,C,D

### Schematic drawing



### Graphical display

The interactive graphical display on this gateway enables the entire AS-Interface network to be commissioned and the connected devices to be completely tested without a PC, PLC or host system. It also enables the user to complete all tasks previously requiring the "AS-Interface Control Tools" software package or hand-held. This allows for simpler and faster commissioning.

#### Features

- Set device addresses
- Test inputs and outputs
- Perform network diagnostics
- View error counter



## Masters and gateways

Model number  
**GW458153A**



### AS-Interface to Ethernet (EtherNet/IP and Modbus TCP) gateway

This AS-Interface/Ethernet gateway interfaces the AS-Interface network to the Ethernet network. The gateway acts as a master for the AS-Interface network and as a node on the Ethernet Network.

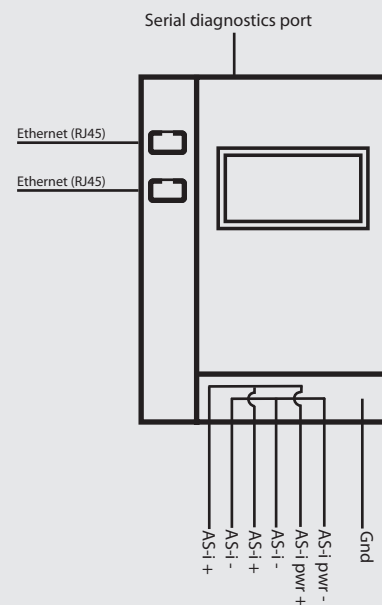
#### Features

- Gateway works with Ethernet/IP and Modbus/TCP
- Integrated Ethernet switch
- Version 3.0 master
- Serial diagnostics port: See SW462008A for cable and software
- Duplicate address detection



Specifications	
AS-Interface master version	3.0
Interface	RJ45 10/100 MBaud Ethernet, integrated switch RS232 diagnostic interface
Operating current	300mA
Operating voltage	30VDC AS-Interface voltage
Baud rate	10/100 MBaud
AS-Interface cycle time	150 microsec x (AS-i slaves +2)
Displays	LCD display Power on, green LED Ethernet active, green LED Config error, red LED Voltage ok, green LED AS-i ok, green LED Auto address enabled, green LED Config mode, yellow LED
Operating temperature	0° to 55°C (32° to 131°F)
Dimensions (L,W,H)	120mm, 85mm, 83mm
Ingress protection	IP20, field enclosure required
Weight	500g

### Schematic drawing



### Graphical display

The new interactive graphical display on this gateway enables the entire AS-Interface network to be commissioned and the connected devices to be completely tested without a PC, PLC or host system. It also enables the user to complete all tasks previously requiring the "AS-Interface Control Tools" software package or hand-held. This allows for simpler and faster commissioning.

#### Features

- Set device addresses
- Test inputs and outputs
- Perform network diagnostics
- View error counter

## Masters and gateways

Model number  
**GW458154A**



### Dual channel AS-Interface to Ethernet (EtherNet/IP and Modbus TCP) gateway

This dual channel AS-Interface/Ethernet gateway interfaces two AS-Interface networks to the Ethernet network. The gateway acts as a master for the AS-Interface network and as a node on the Ethernet network.

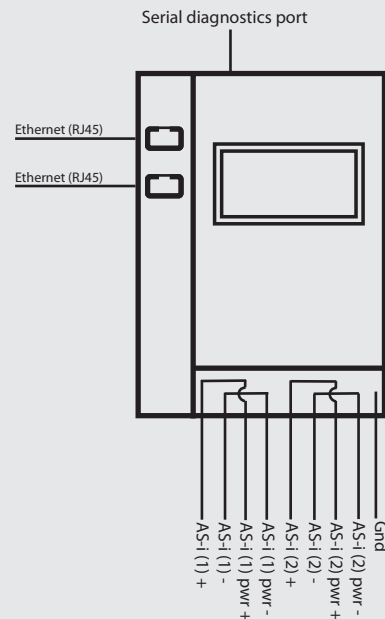
#### Features

- Gateway works with Ethernet/IP and Modbus/TCP
- Integrated Ethernet switch
- Version 3.0 master
- Serial diagnostics port: See SW462008A for cable and software
- Duplicate address detection



Specifications	
AS-Interface master version	3.0
Interface	RJ45 10/100 MBaud Ethernet, integrated switch RS232 diagnostic interface
Operating current	200mA from AS-i Channel 1 70mA from AS-i Channel 2
Operating voltage	30VDC AS-Interface voltage
Baud rate	10/100 MBaud
AS-Interface cycle time	150 microsec x (AS-i slaves +2)
Displays	LCD display AS-i channel 1/2, green LED Ethernet active, green LED Config error, red LED Voltage ok, green LED AS-i ok, green LED Auto address enabled, green LED Config mode, yellow LED
Operating temperature	0° to 55°C (32° to 131°F)
Dimensions (L,W,H)	120mm, 85mm, 83mm
Ingress protection	IP20, field enclosure required
Weight	500g

### Schematic drawing



### Graphical display

The interactive graphical display on this gateway enables the entire AS-Interface network to be commissioned and the connected devices to be completely tested without a PC, PLC or host system. It also enables the user to complete all tasks previously requiring the "AS-Interface Control Tools" software package or hand-held. This allows for simpler and faster commissioning.

#### Features

- Set device addresses
- Test inputs and outputs
- Perform network diagnostics
- View error counter

## Masters and gateways

Model number  
**GW458155A**



### Dual channel AS-Interface to Ethernet (EtherNet/IP and Modbus TCP) with single power supply feature

This dual channel AS-Interface/Ethernet gateway interfaces (2) AS-Interface network to the Ethernet network. The gateway acts as a master for the AS-Interface network and as a node on the Ethernet network.

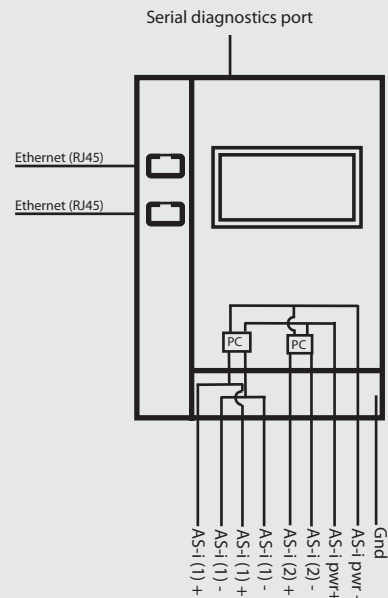
#### Features

- Gateway works with Ethernet/IP and Modbus/TCP
- Integrated Ethernet switch
- Version 3.0 master
- Duplicate address detection
- Serial diagnostics port: See SW462008A for cable and software
- Single power supply for 2 AS-i networks



Specifications	
AS-Interface master version	3.0
Interface	RJ45 10/100 MBaud Ethernet, integrated switch RS232 diagnostic interface
Operating current	250mA
Operating voltage	30VDC
Baud rate	10/100 MBaud
AS-Interface cycle time	150 microsec x (AS-i slaves +2)
Displays	LCD display AS-i channel 1/2, green LED Ethernet active, green LED Config error, red LED Voltage ok, green LED AS-i ok, green LED Auto address enabled, green LED Config mode, yellow LED
Operating temperature	0° to 55°C (32° to 131°F)
Dimensions (L,W,H)	120mm, 85mm, 83mm
Ingress protection	IP20, field enclosure required
Weight	500g

### Schematic drawing



### Graphical display

The interactive graphical display on this gateway enables the entire AS-Interface network to be commissioned and the connected devices to be completely tested without a PC, PLC or host system. It also enables the user to complete all tasks previously requiring the "AS-Interface Control Tools" software package or hand-held. This allows for simpler and faster commissioning.

#### Features

- Set device addresses
- Test inputs and outputs
- Perform network diagnostics
- View error counter



## Masters and gateways

Model number  
**GW458086A**  
**GW458126A (ETL)**



### AS-Interface to Modbus RS485 gateway

Serial AS-Interface master with Modbus communication protocol for operation with host.

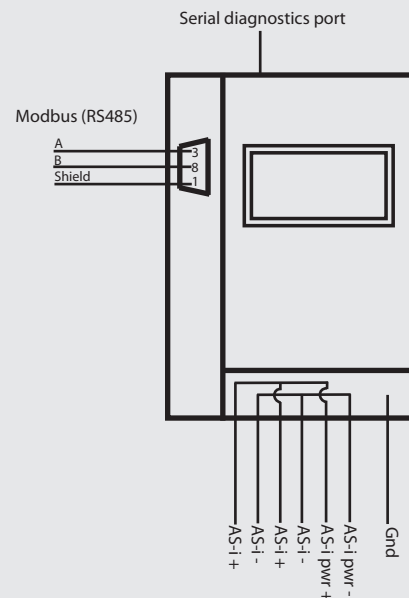
#### Features

- Version 3.0 master, compatible with all 2.0-3.0 slaves and 7.3 profile analog modules
- Duplicate address detection
- AS-Interface peripheral fault diagnostics
- Serial diagnostics port: see SW462008A for cable and software
- ETL approved Class I Division 2 (GW458126A)



Specifications	
AS-Interface master version	3.0
Serial interface	RS485 (9-pin female DB9)
Operating current	200mA (from AS-Interface circuit)
Operating voltage	30 VDC AS-Interface voltage (AS-Interface power supply)
Baud rate	1200k - 115000 baud
AS-Interface cycle time	Cycle time = 150 microsec. x (AS-Interface slaves +2)
Displays	LCD display Power on, green LED Serial communication active, green LED Configuration error, red LED AS-Interface voltage normal, green LED AS-Interface normal operation, green LED Automatic address program enabled, green LED Master in configuration mode, yellow LED
Buttons	4
Operating temperature	0° to +55°C (+32° to +131°F)
Storage temperature	-25° to +85°C (-13° to +185°F)
Housing	Stainless steel, DIN rail mounting
Dimensions (L, W, H)	120mm, 75mm, 83mm
Ingress protection	IP20, field enclosure required
Weight	460g (1 pound)
Approvals (GW458126A)	ETL approved Class I Division 2, groups A,B,C,D

### Schematic drawing



### Graphical display

The interactive graphical display on this gateway enables the entire AS-Interface network to be commissioned and the connected devices to be completely tested without a PC, PLC or host system. It also enables the user to complete all tasks previously requiring the "AS-Interface Control Tools" software package or hand-held. This allows for simpler and faster commissioning.

#### Features

- Set device addresses
- Test inputs and outputs
- Perform network diagnostics
- View error counter



## Masters and gateways

Model number  
**GW458088A**  
**GW458128A**



### Dual channel AS-Interface to Modbus RS485 gateway

Serial AS-Interface master with Modbus communication protocol for operation with host.

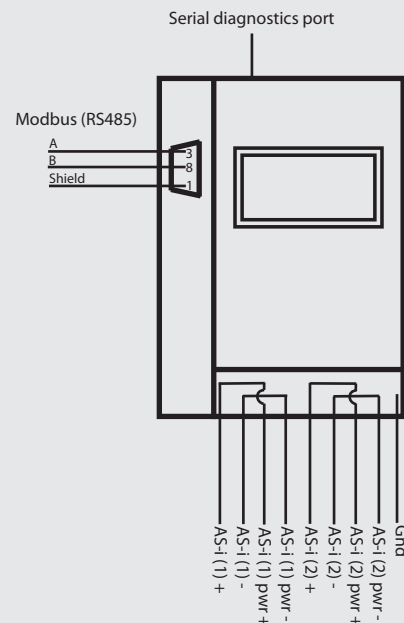
#### Features

- Version 3.0 master, compatible with all 2.0-3.0 slaves and 7.3 profile analog modules
- Duplicate address detection
- AS-Interface peripheral fault diagnostics
- Serial diagnostics port: see SW462008A for cable and software
- ETL approved Class I Division 2 (GW458128A)



Specifications	
AS-Interface master version	3.0
Serial interface	RS485 (9-pin female DB9)
Operating current	200mA (from AS-Interface circuit 1) 70mA (from AS-Interface circuit 2)
Operating voltage	30 VDC AS-Interface voltage (AS-Interface power supply)
Baud rate	1200k - 115,000 baud
AS-Interface cycle time	Cycle time = 150 microsec. x (AS-Interface slaves +2)
Displays	Slave addresses and error messages LCD Power on, green LED Serial communication active, green LED Configuration error, red LED AS-Interface voltage normal, green LED AS-Interface normal operation, green LED Automatic address program enabled, green LED Master in configuration mode, yellow LED
Buttons	4
Operating temperature	0° to +55°C (+32° to +131°F)
Storage temperature	-25° to +85°C (-13° to +185°F)
Housing	Stainless steel, DIN rail mounting
Dimensions (L, W, H)	120mm, 75mm, 83mm
Ingress protection	IP20, field enclosure required
Weight	460g (1 pound)
Approvals (GW458128A)	ETL approved Class I Division 2, groups A,B,C,D

### Schematic drawing



### Graphical display

The interactive graphical display on this gateway enables the entire AS-Interface network to be commissioned and the connected devices to be completely tested without a PC, PLC or host system. It also enables the user to complete all tasks previously requiring the "AS-Interface Control Tools" software package or hand-held. This allows for simpler and faster commissioning.

#### Features

- Set device addresses
- Test inputs and outputs
- Perform network diagnostics
- View error counter



## Masters and gateways

Model number  
**GW458124A**  
**GW458130A (ETL)**



### Dual channel AS-Interface to Modbus RS485 gateway with single power supply feature

Serial dual channel AS-Interface master with Modbus communication protocol for operation with host.

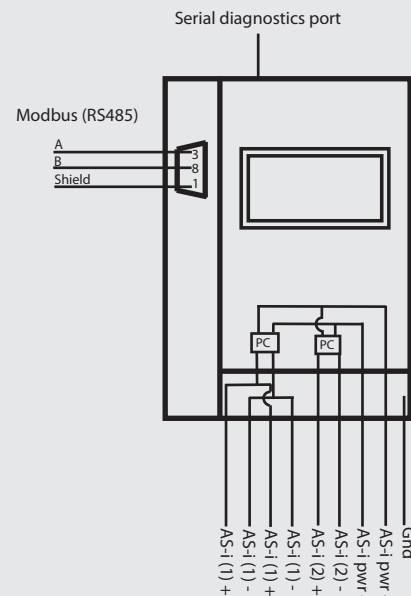
#### Features

- Version 3.0 master, compatible with all 2.0-3.0 slaves and 7.3 profile analog modules
- Duplicate address detection
- AS-Interface peripheral fault diagnostics
- Serial diagnostics port: see SW462008A for cable and software
- ETL approved Class I Division 2 (GW458130A)
- Single power supply for two AS-Interface networks



Specifications	
AS-Interface master version	3.0
Serial interface	RS485 (9-pin female DB9)
Operating current	250mA
Operating voltage	30VDC requires (1) 30VDC power supply
Baud rate	1200k - 115,000 Baud
AS-Interface cycle time	Cycle time = 150 microsec. x (AS-Interface slaves + 2)
Displays	Slave addresses and error messages LCD Power on, green LED Serial communication active, green LED Configuration error, red LED AS-Interface voltage normal, green LED AS-Interface normal operation, green LED Automatic address program enabled, green LED Master in configuration mode, yellow LED
Buttons	4
Operating temperature	0° to +55°C (+32° to +131°F)
Storage temperature	-25° to +85°C (-13° to +185°F)
Housing	Stainless steel, DIN rail mounting
Dimensions (L, W, H)	120mm, 75mm, 83mm
Ingress protection	IP20
Weight	460g (1 pound)
Approvals (GW458130A)	ETL approved Class I Division 2, groups A,B,C,D

### Schematic drawing



### Graphical display

The interactive graphical display on this gateway enables the entire AS-Interface network to be commissioned and the connected devices to be completely tested without a PC, PLC or host system. It also enables the user to complete all tasks previously requiring the "AS-Interface Control Tools" software package or hand-held. This allows for simpler and faster commissioning.

#### Features

- Set device addresses
- Test inputs and outputs
- Perform network diagnostics
- View error counter



## Masters and gateways

Model number  
**GW458132A**



### AS-Interface to Modbus+ gateway

Serial AS-Interface master with Modbus+ protocol for operation with the host.

#### Features

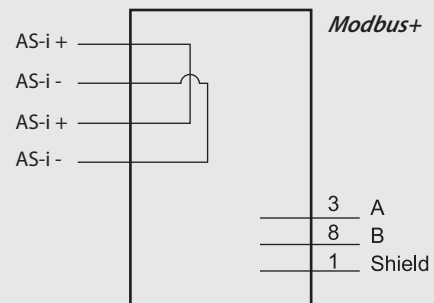
- Direct connection into Modbus+ protocol
- No special software with standard Modbus+ drivers
- Easy programming for slave addresses
- Error diagnostics



#### Specifications

AS-Interface master version	2.1
Interface	RS485 (9-pin DB9)
Operating current	200mA (from AS-Interface circuit)
Operating voltage	30 VDC AS-Interface voltage (AS-Interface power supply)
Baud rate	1 mbit/sec - Modbus+
AS-Interface cycle time	Cycle time = 150 microsec. x (AS-Interface slaves +1)
Displays	Slave addresses and error messages, 2-digit LCD Serial communication active, green LED Configuration error, red LED AS-Interface voltage normal, green LED AS-Interface normal operation, green LED Automatic address program enabled, green LED Master in configuration mode, yellow LED
Operating temperature	0° to +55°C (+32° to +131°F)
Storage temperature	-25° to +82°C (-13° to +180°F)
Housing	Engineered resin, DIN rail mounting
Dimensions (L, W, H)	75mm, 100mm, 110mm
Ingress protection	IP20, field enclosure required
Weight	420g (0.93 pounds)

#### Schematic drawing



## Masters and gateways

Model number  
**GW458078A**  
**GW458110A (ETL)**



### AS-Interface to Profibus-DP gateway

The AS-Interface/Profibus gateway interfaces the AS-Interface to Profibus-DP. The gateway acts as a master for AS-Interface and as a slave for Profibus. AS-Interface functions can be called up via Profibus. Commissioning can be accomplished with a hand-held addressing unit or with the push buttons on the gateway.

#### Features

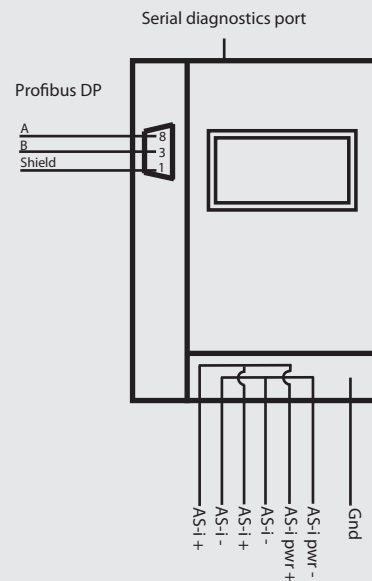
- Duplicate address detection
- Version 3.0 master-compatible with all 2.0-3.0 slaves and 7.3 profile analog modules
- AS-Interface peripheral fault diagnostics
- Serial diagnostics port: see SW462008A for software and cable
- ETL approved for Class I Division 2 (GW458110A)



Specifications	
AS-Interface master version	3.0
Interface	Profibus-DP
Diagnostic interface	Serial RS232
Operating current	200mA (from AS-Interface circuit)
Operating voltage	30 VDC AS-Interface voltage (AS-Interface power supply)
Baud rate	9.6k - 1200k Baud (automatic recognition)
AS-Interface cycle time	Cycle time = 150 microsec. x (AS-Interface slaves +2)
Displays	LCD display Power on, green LED Serial communication active, green LED Configuration error, red LED AS-Interface voltage normal, green LED AS-Interface normal operation, green LED Automatic address program enabled, green LED Master in configuration mode, yellow LED
Operating temperature	0° to +55°C (+32° to +131°F)
Storage temperature	-25° to +85°C (-13° to +185°F)
Housing	Stainless steel, DIN rail mounting
Dimensions (L, W, H)	120mm, 75mm, 83mm
Ingress protection	IP20, field enclosure required
Weight	460g (1.0 pounds)
Approvals (GW458110A)	ETL approved Class I Division 2, groups A,B,C,D



### Schematic drawing



### Graphical display

The interactive graphical display on this gateway enables the entire AS-Interface network to be commissioned and the connected devices to be completely tested without a PC, PLC or host system. It also enables the user to complete all tasks previously requiring the "AS-Interface Control Tools" software package or hand-held. This allows for simpler and faster commissioning.

#### Features

- Set device addresses
- Test inputs and outputs
- Perform network diagnostics
- View error counter

## Masters and gateways

Model number  
**GW458080A**  
**GW458112A (ETL)**



### Dual channel AS-Interface to Profibus-DP gateway

The AS-Interface/Profibus gateway interfaces two (2) AS-Interface networks to Profibus-DP. The gateway acts as a master for two (2) AS-Interface networks and as a single slave for Profibus. AS-Interface functions can be called up via Profibus. Commissioning can be easily accomplished with the use of a hand-held addressing unit or with the push buttons on the gateway.

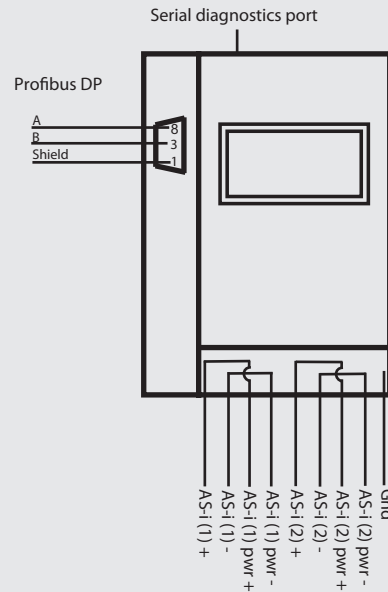
#### Features

- Duplicate address detection
- Version 3.0 master-compatible with all 2.0-3.0 slaves and 7.3 profile analog modules
- AS-Interface peripheral fault diagnostics
- Serial diagnostics port: see SW462008A for software and cable
- ETL approved for Class I Division 2 (GW458112A)



Specifications	
AS-Interface master version	3.0
Interface	Profibus-DP
Operating current	200mA (from AS-Interface 1) 70mA (from AS-Interface 2)
Operating voltage	30 VDC AS-Interface voltage (AS-Interface power supply)
Baud rate	9.6k - 12000k baud (automatic recognition)
AS-Interface cycle time	Cycle time = 150 microsec. x (AS-Interface slaves +2)
Displays	LCD display Display network1/network2, green LED Serial communication active, green LED Configuration error, red LED AS-Interface voltage normal, green LED AS-Interface normal operation, green LED Automatic address program enabled, green LED Master in configuration mode, yellow LED
Operating temperature	0° to +55°C (+32° to +131°F)
Storage temperature	-25° to +82°C (-13° to +185°F)
Housing	Stainless steel, DIN rail mounting
Dimensions (L, W, H)	120mm, 75mm, 83mm
Ingress protection	IP20, field enclosure required
Weight	460g (1.0 pounds)
Approvals (GW458112A)	ETL approved Class I Division 2 groups A,B,C,D

### Schematic drawing



### Graphical display

The interactive graphical display on this gateway enables the entire AS-Interface network to be commissioned and the connected devices to be completely tested without a PC, PLC or host system. It also enables the user to complete all tasks previously requiring the "AS-Interface Control Tools" software package or hand-held. This allows for simpler and faster commissioning.

#### Features

- Set device addresses
- Test inputs and outputs
- Perform network diagnostics
- View error counter



## Masters and Gateways

### StoneL Model 458102

#### AS-Interface to PROFIBUS-DP Basic Gateway

The AS-Interface/PROFIBUS gateway interfaces the AS-Interface to PROFIBUS-DP. The gateway acts as a master for AS-Interface and as a slave for PROFIBUS. AS-Interface functions can be called up via PROFIBUS. Commissioning can be accomplished with a handheld addressing unit or with the push-buttons on the gateway.

#### Features

- Version 2.1 master-compatible with all 2.0 and 2.1 slaves and 7.3 profile analog modules



#### Specifications

AS-Interface Master Version	• 2.1
Interface	• PROFIBUS-DP
Operating Current	• 200mA (from AS-Interface circuit)
Operating Voltage	• 30 VDC AS-Interface Voltage (AS-Interface power supply)
Baud Rate	• 9.6k - 1200k Baud (automatic recognition)
AS-Interface Cycle Time	• Cycle Time = 150 microsec. x (AS-Interface Slaves +2)
Displays	<ul style="list-style-type: none"> <li>• LCD Display</li> <li>• Power on, green LED</li> <li>• Serial communication active, green LED</li> <li>• Configuration error, red LED</li> <li>• AS-Interface voltage normal, green LED</li> <li>• AS-Interface normal operation, green LED</li> <li>• Automatic address program enabled, green LED</li> <li>• Master in configuration mode, yellow LED</li> </ul>
Operating Temp.	• 0° to +55°C (+32° to +131°F)
Storage Temp.	• -25° to +85°C (-13° to +185°F)
Housing	• Stainless steel, DIN rail mounting
Dimensions (L,W,H)	• 120mm, 75mm, 83mm
Ingress Protection	• IP20, field enclosure required
Weight	• 460g (1.0 pounds)

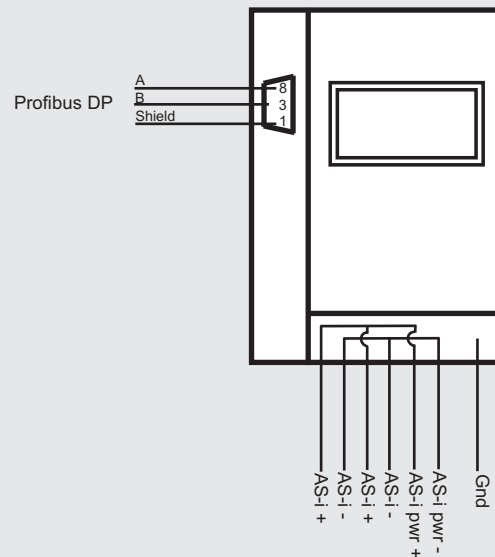


Enclosure Option



p.166

#### Schematic Drawing



#### Graphical Display

The new interactive graphical display on this gateway enables the entire AS-Interface network to be commissioned and the connected devices to be completely tested without a PC, PLC or host system. It also enables the user to complete all tasks previously requiring the "AS-Interface Control Tools" software package or handheld. This allows for simpler and faster commissioning.

#### Features

- Set device addresses
- Test inputs and outputs
- Perform network diagnostics
- View error counter

**Masters and Gateways**

**StoneL Model 458104**

**Dual Channel AS-Interface to PROFIBUS-DP Basic Gateway**

The AS-Interface/PROFIBUS gateway interfaces two (2) AS-Interface networks to PROFIBUS-DP. The gateway acts as a master for two (2) AS-Interface networks and as a single slave for PROFIBUS. AS-Interface functions can be called up via PROFIBUS. Commissioning can be easily accomplished with the use of a handheld addressing unit or with the push-buttons on the gateway.

**Features**

- AS-Interface peripheral fault diagnostics
- Version 2.1 master-compatible with all 2.0 and 2.1 slaves and 7.3 profile analog modules



Enclosure Option



p.166

**Specifications**

AS-Interface Master Version

- 2.1

Interface • PROFIBUS-DP

Operating Current • 200mA (from AS-Interface 1)  
• 70mA (from AS-Interface 2)

Operating Voltage • 30 VDC AS-Interface Voltage (AS-Interface power supply)

Baud Rate • 9.6k - 12000k Baud (automatic recognition)

AS-Interface Cycle Time • Cycle Time = 150 microsec. x (AS-Interface Slaves +2)

- Displays
- LCD Display
  - Display Network1/Network2, green LED
  - Serial communication active, green LED
  - Configuration error, red LED
  - AS-Interface voltage normal, green LED
  - AS-Interface normal operation, green LED
  - Automatic address program enabled, green LED
  - Master in configuration mode, yellow LED

Operating Temp. • 0° to +55°C (+32° to +131°F)

Storage Temp. • -25° to +85°C (-13° to +185°F)

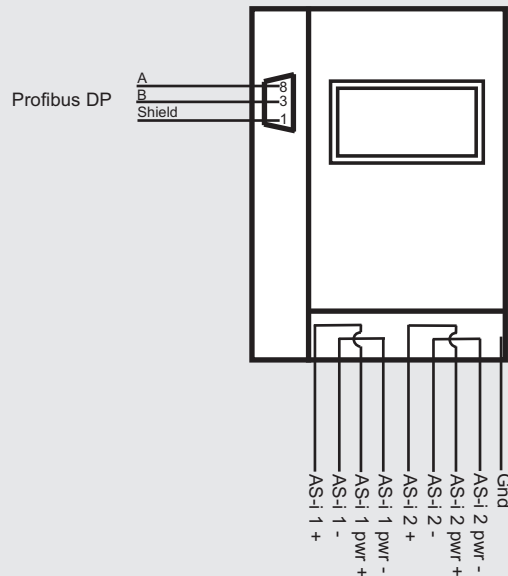
Housing • Stainless steel, DIN rail mounting

Dimensions (L, W, H) • 120mm, 75mm, 83mm (L, W, H)

Ingress Protection • IP20, field enclosure required

Weight • 460g (1.0 pounds)

**Schematic Drawing**



**Graphical Display**

The new interactive graphical display on this gateway enables the entire AS-Interface network to be commissioned and the connected devices to be completely tested without a PC, PLC or host system. It also enables the user to complete all tasks previously requiring the "AS-Interface Control Tools" software package or handheld. This allows for simpler and faster commissioning.

**Features**

- Set device addresses
- Test inputs and outputs
- Perform network diagnostics
- View error counter



## Masters and gateways

Model number  
**GW458108A**  
**GW458114A (ETL)**



### Dual channel AS-Interface to Profibus-DP gateway with single power supply feature

The AS-Interface/Profibus gateway interfaces the AS-Interface to Profibus-DP. The gateway acts as a master for AS-Interface and as a slave for Profibus. AS-Interface functions can be called up via Profibus. Commissioning can be accomplished with a hand-held addressing unit or with the push buttons on the gateway.

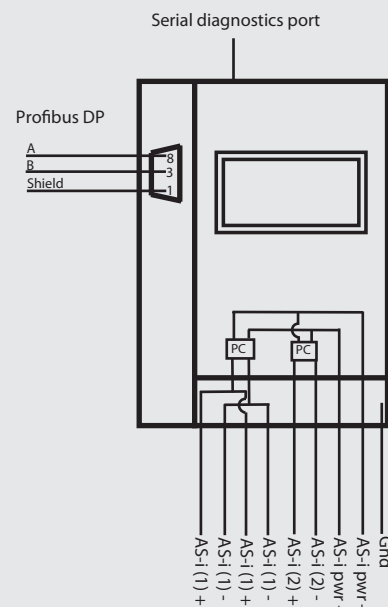
#### Features

- AS-Interface peripheral fault diagnostics
- Duplicate address detection
- Version 3.0 master-compatible with all 2.0-3.0 slaves and 7.3 profile analog modules
- Serial diagnostics port: see SW462008A for software and cable
- ETL approved for Class I Division 2 (GW458114A)
- Single power supply for two (2) networks



Specifications	
AS-Interface master version	3.0
Interface	Profibus-DP
Operating current	250mA
Operating voltage	30 VDC requires (1) 30 VDC power supply
Baud rate	9.6k - 12000k baud (automatic recognition)
AS-Interface cycle time	Cycle time = 150 microsec. x (AS-Interface slaves + 2)
Displays	LCD display Display network1/network2, green LED Serial communication active, green LED Configuration error, red LED AS-Interface voltage normal, green LED AS-Interface normal operation, green LED Automatic address program enabled, green LED Master in configuration mode, yellow LED
Operating temperature	0° to +55°C (+32° to +131°F)
Storage temperature	-25° to +85°C (-13° to +185°F)
Housing	Stainless steel, DIN rail mounting
Dimensions (L, W, H)	120mm, 75mm, 83mm
Ingress protection	IP20, field enclosure required
Weight	460g (1.0 pounds)
Approvals (GW458114A)	ETL approved Class I Division 2, groups A,B,C,D

### Schematic drawing



### Graphical display

The interactive graphical display on this gateway enables the entire AS-Interface network to be commissioned and the connected devices to be completely tested without a PC, PLC or host system. It also enables the user to complete all tasks previously requiring the "AS-Interface Control Tools" software package or hand-held. This allows for simpler and faster commissioning.

#### Features

- Set device addresses
- Test inputs and outputs
- Perform network diagnostics
- View error counter



## Masters and gateways

Model number  
**GW458116A**



### AS-Interface to ProfiNet gateway

The AS-Interface/ProfiNet gateway interfaces the AS-Interface to ProfiNet. The gateway acts as a master for AS-Interface and as a slave for ProfiNet. AS-Interface functions can be called up via ProfiNet. Commissioning can be accomplished with a hand-held addressing unit or with the push buttons on the gateway.

#### Features

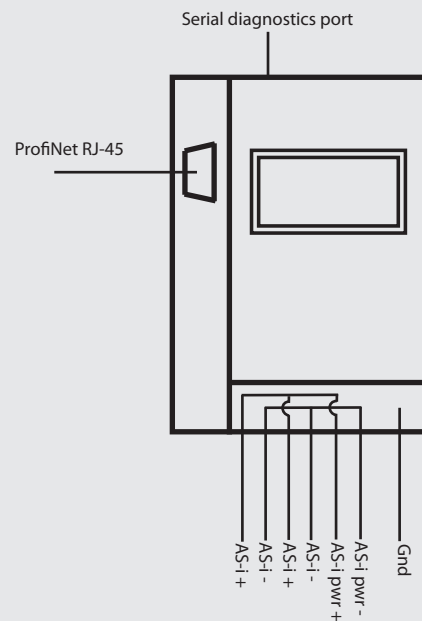
- Duplicate address detection
- Version 3.0 master-compatible with all 2.0 and 3.0 slaves and 7.3 profile analog modules
- AS-Interface peripheral fault diagnostics
- Serial diagnostics port: see SW462008A for software and cable



Specifications	
AS-Interface master version	3.0
Interface	ProfiNet (RJ-45 Ethernet)
Operating current	300mA (from AS-Interface circuit)
Operating voltage	30 VDC AS-Interface voltage (AS-Interface power supply)
Baud rate	10/100m baud (automatic recognition)
AS-Interface cycle time	Cycle time = 150 microsec. x (AS-Interface slaves +2)
Displays	LCD display Power on, green LED Serial communication active, green LED Configuration error, red LED AS-Interface voltage normal, green LED AS-Interface normal operation, green LED Automatic address program enabled, green LED Master in configuration mode, yellow LED
Operating temperature	0° to +55°C (+32° to +131°F)
Storage temperature	-25° to +85°C (-13° to +185°F)
Housing	Stainless steel, DIN rail mounting
Dimensions (L, W, H)	120mm, 100mm, 83mm
Ingress protection	IP20, field enclosure required
Weight	550g (1.2 pounds)



### Schematic drawing



### Graphical display

The interactive graphical display on this gateway enables the entire AS-Interface network to be commissioned and the connected devices to be completely tested without a PC, PLC or host system. It also enables the user to complete all tasks previously requiring the "AS-Interface Control Tools" software package or hand-held. This allows for simpler and faster commissioning.

#### Features

- Set device addresses
- Test inputs and outputs
- Perform network diagnostics
- View error counter