

### ▶ BKC-1

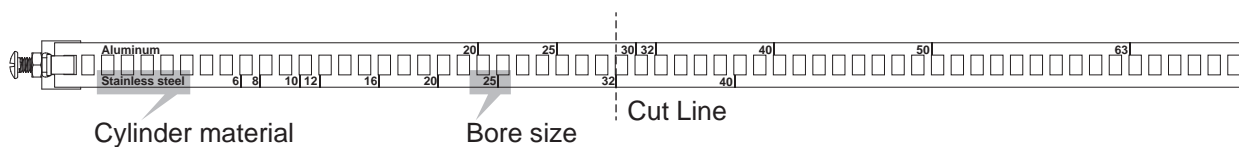
BKC-1 is designed for mounting CS-07 & CS-77 series sensor on round cylinder.



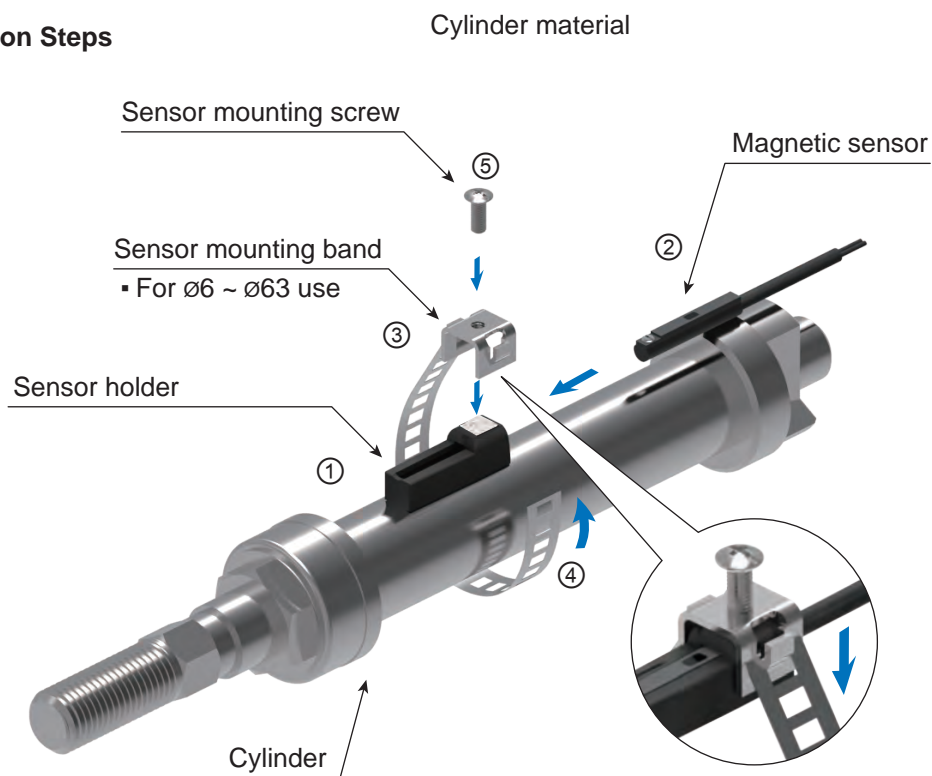
## How to use :

### 1. Example: Use with $\varnothing 32$ stainless body cylinder.

Refer to the clamp marking "Stainless steel 32", and cut off the excessive portion.



### 2. Installation Steps



Unit:mm