



LS504-11

LS Series–Level Sensor

Features

- High or low level sensing
- Internal fitting
- Reed Switch reliability
- Silicone sealing washer
- Easy installation

Comments

- High or low level sensing, single pole double throw
- Normally open or normally closed by rotating through 180
- Suitable for a wide range of liquids
- Interface option available
- Polypropylene Material
- PPS Material

Applications

- Coolant level indication
- Water high or low Level
- Boiler heating element protection
- Drinking water level
- Boiling Water

LS504-11

LS Series—Level Sensor

Material

Housing Material	Glass Filled PPS
Float Material	Glass Filled PPS
Contact Material	Ruthenium
Float SG	0.7
Operating Temperature °C	-30 to 110
Medium	Boiling, Drinking (Potable) Water
Housing and Float Color	Black

Mechanical Specifications

Shock	50g for 11mS duration
Vibration	35g up to 500Hz
Maximum Pressure	4.7 Bar
IP	IP65

Switching

Switch Action (Reed Switch)	SPDT
Max Switching Voltage VDC	175
Max Switching Voltage VAC	125
Max Switching Current Amps	0.4A DC/0.28A AC
Max Switching Load Watt	5
Operate Mode	N/C with float horizontal
Contact Form	C

Cable

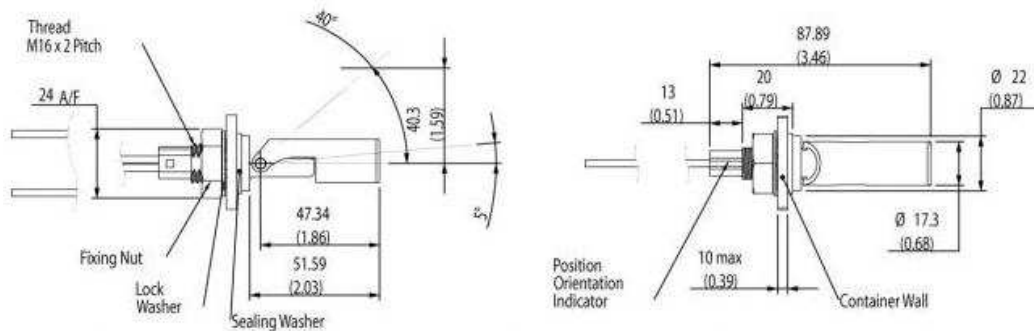
Cable Length	3 x 0.5M single insulated
Connection Type	Stripped Cables
Cable Type	24AWG, 7/0.2mm PVC insulated
Cable Color	Yellow/Blue/Black

Mounting

Thread	M16
Fitment	Internal
Mounting	Horizontal

Technical Drawing

Internal Fitting



NORTH AMERICA & EUROPE

MEAS Deutschland GmbH
a TE Connectivity Company
Hauert 13
D-44227 Dortmund
Germany
Phone: +49-(0)231-9740-0
Fax: +49-(0)231-9740-20
Email: info.de@meas-spec.com

ASIA

Measurement Specialties (China), Ltd.,
a TE Connectivity Company
No. 26 Langshan Road
Shenzhen High-Tech Park (North)
Nanshan District, Shenzhen 518057 China
Tel +86 755 3330 5088
Fax +86 755 3330 5099

te.com/sensorsolutions

Measurement Specialties, Inc., a TE Connectivity company.

Measurement Specialties, MEAS, TE Connectivity, TE Connectivity (logo) and EVERY CONNECTION COUNTS are trademarks. All other logos, products and/or company names referred to herein might be trademarks of their respective owners.

The information given herein, including drawings, illustrations and schematics which are intended for illustration purposes only, is believed to be reliable. However, TE Connectivity makes no warranties as to its accuracy or completeness and disclaims any liability in connection with its use. TE Connectivity's obligations shall only be as set forth in TE Connectivity's Standard Terms and Conditions of Sale for this product and in no case will TE Connectivity be liable for any incidental, indirect or consequential damages arising out of the sale, resale, use or misuse of the product. Users of TE Connectivity products should make their own evaluation to determine the suitability of each such product for the specific application.

© 2016 TE Connectivity Ltd. family of companies All Rights Reserved.