



## TRUBLUE 255 LEVEL

- Level Accuracy of  $\pm 0.05\%$  FS TEB
- $< 1\text{cm}$  Accuracy Error up to 10m H<sub>2</sub>O
- Ten Year Permanent Battery
- Standard 8 MB Internal Memory for up to 550,000 Data Points
- Optional 56 MB Internal Memory for up to 3.7 Million Data Points
- User-friendly TruWare Software Included Free of Charge

### Features

- Calibration Report with each instrument
- New compact fully sealed design
- Two Year Warranty
- Easy set-up and data retrieval
- High speed data extraction
- Optional 56 MB internal memory
- Optional battery pack for rapid sampling

### Applications

- Aquifer Characterization, Slug and Pump Tests
- Gage Height, River, Stream and Stage Gauging
- Tide and Harbor Gauging
- Flood and Storm Surge Measurement
- Wetlands and Stormwater Run-off Management
- Watershed and Recharge Monitoring
- Wave Studies and Rapid Sampling

Our next generation of water level data loggers – the TruBlue 255 Level – combines precision, performance, and rugged reliability like no other water level measurement instrument available today. Designed to deliver time and time again in even the harshest conditions, the TruBlue 255 Level is battery powered and features welded 316 stainless steel or titanium construction in a fully sealed design. Advanced, power-conserving microcomputer technology enables it to log level (depth) and temperature for up to ten years. Since these units do not require onsite power or a programmable logic controller (PLC), a terminal box isn't necessary.

The TruBlue 255 Level is the perfect choice for water level monitoring when reliability, accuracy and precision are needed in a compact, competitively priced design.

**Specifications**

<b>SENSORS – LEVEL</b>		
Sensor Type		Oil-filled Piezoresistive
Sensor Material		316 SS or Titanium
Range (psia)	Low	22
	High	300
Accuracy	0 – 50°C	±0.05% FS TEB
Resolution		0.01% FS or better
Burst		3X FS (600 psi max)
Accuracy is stated as total error band (TEB). This includes the combined errors due to non-linearity, hysteresis, non-repeatability and thermal effects. This accuracy can be maintained by performing semi-annual field calibrations.		

<b>SENSORS – TEMPERATURE</b>		
Sensor Type		Embedded RTD
Range (°C)	Low	0
	High	50
Accuracy		±0.1 °C
Resolution		0.01 °C

<b>PHYSICAL</b>		
Diameter	inches	0.75
Length	inches	7.89
Weight	oz.	6

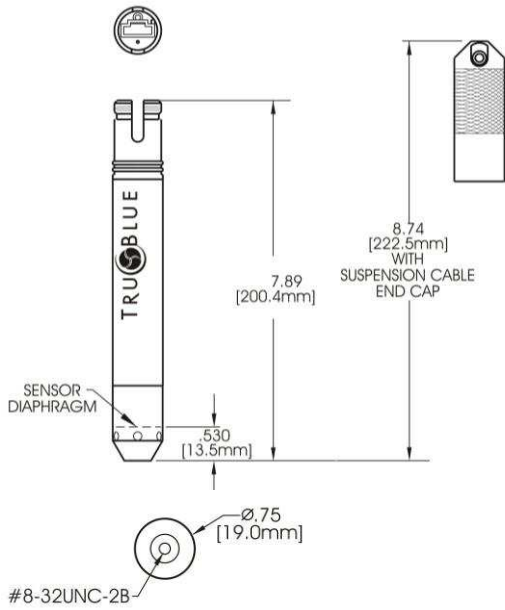
<b>OPERATING CONDITIONS</b>		
Pressure (psia)	Low	7
	High	3X FS (600 psia max)
* Temperature (°C)	Low	-20
	High	80

\* Accuracy affected exceeding 0-50 °C

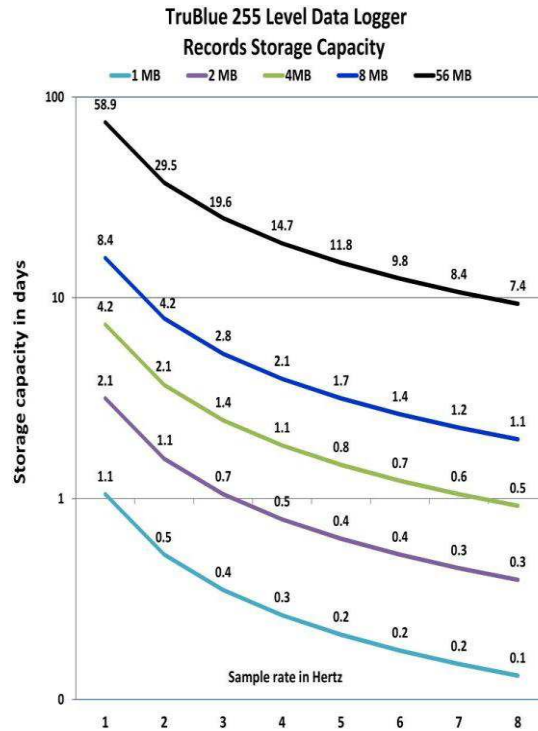
<b>ELECTRICAL</b>		
Internal Battery Type		3.6V lithium
Battery Life	One reading/ 5 minutes	10 years
External Power		6-16 VDC (2 mA sleep, 15 mA active)
Communication Interface		RS-485 (half duplex)

<b>DATA LOGGING</b>		
Memory	Standard	8 MB
	Optional	56 MB
Data Points	Standard	550,000
	Optional	3,733,000
Clock Accuracy		2 min/year
Logging Rate	Linear	up to 8 Hz
	Linear Avg	programmable
	Event	programmable
Methods	Linear	✓
	Linear Avg	✓
	Event	✓
Data Extraction Rate		1500 measurements/sec.
Pressure Response Time		< 1 second
Thermal Response Time	To achieve temperature compensation of the pressure sensor	< 10 minutes

Dimensions



Sampling Rates and Storage



Software

Each unit comes with user-friendly TruWare software at no charge.

- View, graph, and export test data
- Easy to use in the field or office
- Works with Windows Tablets



## System Requirements

### 1. Pick a transducer model

8MB MODEL	56MB MODEL	MATERIAL	RANGE (Psi)	LABEL
255-00320	255-70320	Stainless Steel	22	0-5.1m, 0-16.8 ft
255-00330	255-70330	Titanium	22	0-5.1m, 0-16.8 ft
255-00420	255-70420	Stainless Steel	30	0-10.8m, 0-35.3 ft
255-00430	255-70430	Titanium	30	0-10.8m, 0-35.3 ft
255-00520	255-70520	Stainless Steel	50	0-24.8m, 0-81.5 ft
255-00530	255-70530	Titanium	50	0-24.8m, 0-81.5 ft
255-00620	255-70620	Stainless Steel	100	0-60m, 0-196.8 ft.
255-00630	255-70630	Titanium	100	0-60m, 0-196.8 ft.
255-00720	255-70720	Stainless Steel	125	0-77.6m, 0-254.5 ft
255-00730	255-70730	Titanium	125	0-77.6m, 0-254.5 ft
255-00820	255-70820	Stainless Steel	300	0-200.6m, 0-658.3 ft
255-00830	255-70830	Titanium	300	0-200.6m, 0-658.3 ft

### 2. Communication cable options

MODEL	DESCRIPTION
850 00857	USB to Backshell Communication Cable

### 3. Other cabling options can be found in the TruBlue Accessory Catalog

#### NORTH AMERICA

Measurement Specialties, Inc.,  
a TE Connectivity company  
1000 Lucas Way  
Hampton, VA 23666  
Tel : 1-757-766-1500  
Fax : 1-757-766-4297  
Toll Free: 1-800-745-8008  
Email: WL.Sales@te.com

#### EUROPE

Measurement Specialties (Europe), Ltd.,  
a TE Connectivity company  
26 Rue des Dames  
78340 Les Clayes-sous-Bois, France  
Tel : +33 (0) 130 79 33 00  
Fax : +33 (0) 134 81 03 59  
Email: customercare.lcsb@te.com

#### ASIA

Measurement Specialties (China), Ltd.,  
a TE Connectivity company  
No. 26 Langshan Road  
Shenzhen High-Tech Park (North)  
Nanshan District, Shenzhen 518057 China  
Tel : +86 755 3330 5088  
Fax : +86 755 3330 5099  
Email: customercare.shzn@te.com

#### te.com/sensorsolutions

Measurement Specialties Inc., a TE Connectivity company.

Measurement Specialties (MEAS), American Sensor Technologies (AST), TE Connectivity, TE Connectivity (logo) and EVERY CONNECTION COUNTS are trademarks. All other logos, products and/or company names referred to herein might be trademarks of their respective owners.

The information given herein, including drawings, illustrations and schematics which are intended for illustration purposes only, is believed to be reliable. However, TE Connectivity makes no warranties as to its accuracy or completeness and disclaims any liability in connection with its use. TE Connectivity's obligations shall only be as set forth in TE Connectivity's Standard Terms and Conditions of Sale for this product and in no case will TE Connectivity be liable for any incidental, indirect or consequential damages arising out of the sale, resale, use or misuse of the product. Users of TE Connectivity products should make their own evaluation to determine the suitability of each such product for the specific application.

© 2016 TE Connectivity Ltd. family of companies All Rights Reserved.