

FEATURES

- Liquid and gas media compatible with Stainless Steel
- Miniature design (body \varnothing 12 mm)
- Pressure port M8x1 or 5/16-24 UNF
- IP66 rating

APPLICATIONS

- Motorsports
- Downhole Exploration
- Hydraulic Pressures
- Transportation

EPRB-3

Miniature Pressure Transducer

SPECIFICATIONS

- **Pressure + temperature measurement**
- **Ranges from 3.5 to 700 bar (50 to 10,000 psi)**
- **Unique pressure reference version Absolute**
- **Operating temperature up to 150 °C (300 °F)**
- **0.5 to 4.5V amplified pressure output**

EPRB-3 is an ultra-miniature pressure transducer of 100% stainless steel welded construction. It is designed for severe environments where minimum size and light weight are required.

EPRB-3 design is constructed with an independent platinum **PT1000** probe to sense the physical media temperature.

EPRB-3 models have amplified output, either 5Vdc ratiometric or 8-30Vdc for use on vehicle, military, test equipment or on a test bench.

On request, Instruction documents can be provided to ease the selection and use of our sensors and provide helpful tips.

STANDARD RANGES

Pressure ranges		Pressure Reference	Pressure Overload (rated pressure)	Burst Pressure (rated pressure)
bar	psi	abs. (type3)		
3.5	50	•	2 x FS	3 x FS
6	100	•	2 x FS	3 x FS
10	150	•	2 x FS	3 x FS
20	300	•	2 x FS	3 x FS
35	500	•	2 x FS	3 x FS
60	1K	•	2 x FS	3 x FS
100	1.5K	•	2 x FS	3 x FS
200	3K	•	2 x FS	3 x FS
350	5K	•	2 x FS	3 x FS
700	10K	•	1.5 x FS	2 x FS

PERFORMANCE SPECIFICATIONS (typical values at temperature 23±3°C)

PARAMETERS	VALUES	NOTES
Supply Voltage	Version U: 8 to 32Vdc Version R: 5 Vdc regulated	
Max Current	< 8 mA	
Non-Repeatability	± 0.05% FSO	
Combined Non-Linearity & Hysteresis	± 0.25% FSO	
Long term stability	Zero Offset = 0.1%span/year ; FSO = 0.1%/year	
Bandwidth (-3 dB)	400 Hz	
Thermal Zero Shift "TZS" in CTR	±2%FSO/100 °C ± 1%FSO /100 °C	Ranges ≤ 10 bar or 150 psi Ranges > 10 bar or 150 psi
Thermal Sensitivity Shift "TSS" in CTR	±1.5% /100 °C ±1% /100 °C	Ranges ≤ 10 bar or 150 psi Ranges > 10 bar or 150 psi
Operating Temperature Range (OTR)	-40 °C to 150 °C	
Compensated Temperature Range (CTR)	0 °C to 100 °C	
Sensitivity "FSO"	4V ± 50mV	Signal output 0.5 to 4.5V for 0 to FS
Zero Offset	0.5V ±100mV 0.5V ± 50mV	Ranges ≤ 10 bar or 150 psi Ranges > 10 bar or 150 psi
Vibration	2g (10Hz to 60Hz) and 20g (60Hz to 1 KHz)	
Shock (1/2 sine)	50g (11 ms) and 200g (6 ms)	
Weight (without cable)	15 g + 23 g per meter of cable	
Temperature sensor RTD	1000 ohms Platinum DIN EN 60751	63% response time : 3 sec. max.
Ingress Protection	IP66	

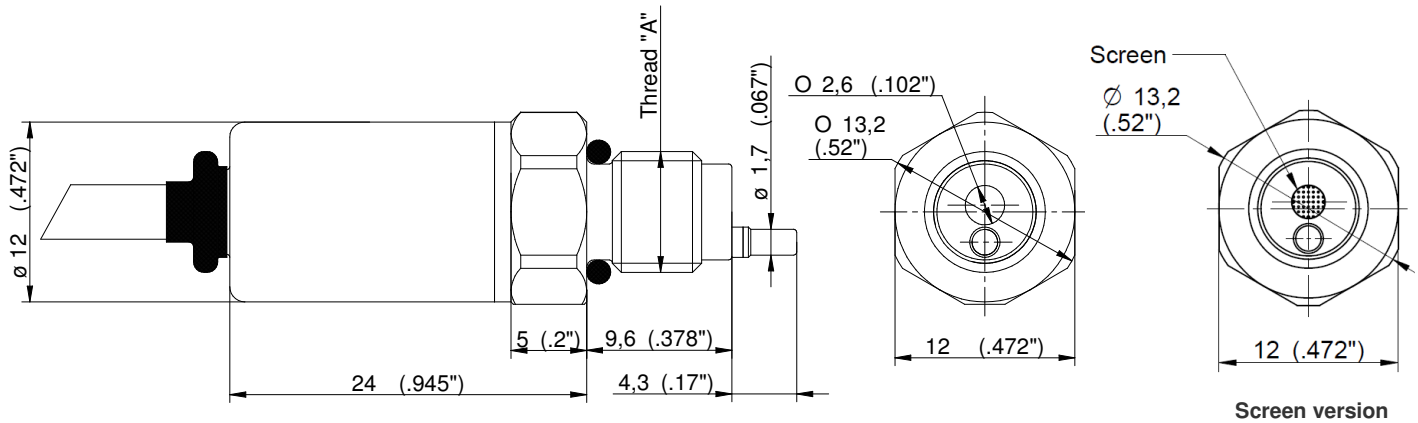
CE compliance

EN55022 Emissions Class A & B
IEC61000-4-2 Electrostatic Discharge Immunity (1kV contact)
IEC61000-4-3 EM Field Immunity (3V/m)
IEC61000-4-4 Electrical Fast Transient Immunity (1kV)

EPRB-3

Miniature Pressure Transducer with temperature probe

DIMENSIONS

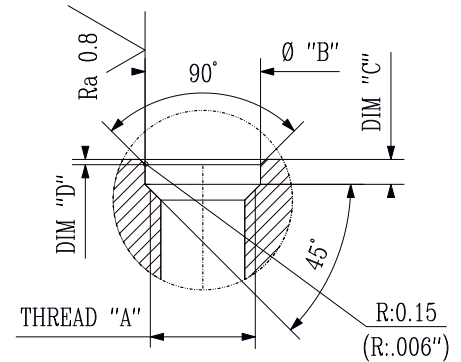


PHYSICAL (SEE BLOCK DIAGRAM)			
MODEL	THREAD "A"	O-RING SUPPLIED	INSTALLATION TORQUE
S	M8X1	Ø6.35x1.6 FKM Fluoroelastomer	2.5 Nm (5 Nm max.)
Q	5/16-24 UNF-2A	Ø6.35x1.6 FKM Fluoroelastomer	2.5 Nm (5 Nm max.)

INSTALLATION & CONNECTION

RECOMMENDED MOUNTED PORT (1)			
Thread "A"	Dim. "B"	Dim. "C"	Dim. "D"
M8x1	8.8 mm	1.9 mm	0.4 mm
5/16-24 UNF-2A	0.35"	0.075"	0.015"

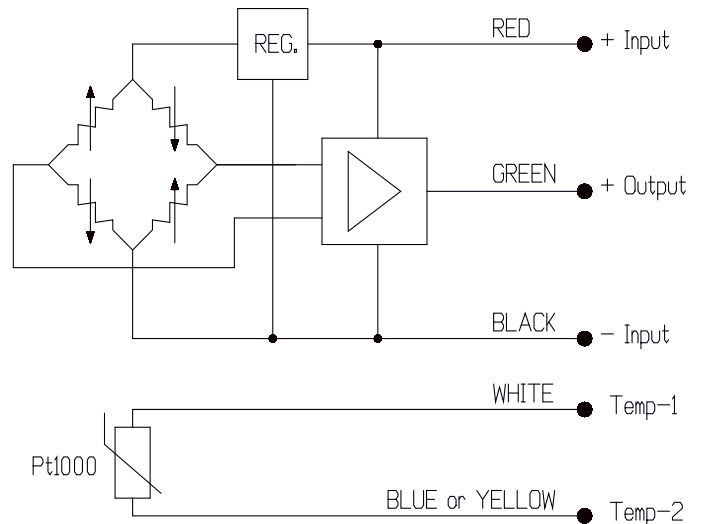
1. Tolerances on dimensions = ± 0.05 mm (0.002")



WIRING:

Standard: 1 meter of unshielded cable 5 x AWG26

Option **SC00M**: shielded cable 5 x AWG24
 (Replace "00" with total length in meter;
 The shield is not connected to sensor's body)



EPRB-3

Miniature Pressure Transducer with temperature probe

OPTIONS & ACCESSORIES

OPTIONS	CODES	DESCRIPTIONS
Compensated Temperature Ranges	Z1 Z35	-20° C to 40° C +20° C to 120° C
Shielded cable	SC00M	Replace "00" with total length in meters (SC1M ; SC3M ; SC5M...)
Screen	GR	Screen version (see dimension page 2)
Acceptance Test Report	ATR	ATR for a complete Acceptance Test Report provided with transducer

ORDERING INFORMATION

EPRB-3	-	Q	U	3	3	-	500P	-	/Z1/SC3M
Model	-	Pressure Port	Supply Voltage	Output Signal	Pres. Ref.	-	Range/Unit	-	Options
EPRB-3	-	S = M8x1 Q = 5/16-24 UNF	U = 8 to 32 Vdc R = 5 Vdc reg.	3 = 0.5 to 4.5V	3 = Absolute	-	3.5B 50P 6B 100P 10B 150P 20B 300P 35B 500P 60B 1KP 100B 1.5KP 200B 3KP 350B 5KP 700B 10KP	-	/Z1 /Z35 /SC00M /GR /ATR

The **psi** range models are only supplied with imperial thread design.
The **bar** range models are only supplied with metric thread design.

NORTH AMERICA

Measurement Specialties, Inc.,
a TE Connectivity Company
Vibration Design Center
32 Journey - Suite 150
Aliso Viejo, CA 92656
United States USA
Tel: 1-949-716-0877
Fax: 1-949-916-5677
t&m@meas-spec.com

EUROPE

Measurement Specialties (Europe), Ltd.,
a TE Connectivity Company
26 Rue des Dames
78340 Les Clayes-sous-Bois, France
Tel: +33 (0) 130 79 33 00
Fax: +33 (0) 134 81 03 59
cs.lcsb@meas-spec.com

ASIA

Measurement Specialties (China), Ltd.,
a TE Connectivity Company
No. 26 Langshan Road
Shenzhen High-Tech Park (North)
Nanshan District, Shenzhen 518057
China
Tel: +86 755 3330 5088
Fax: +86 755 3330 5099
Sales: pfg.cs.asia@meas-spec.com

TE.com/sensorsolutions

Measurement Specialties, Inc., a TE Connectivity company.

Measurement Specialties, TE Connectivity, TE Connectivity (logo) and EVERY CONNECTION COUNTS are trademarks. All other logos, products and/or company names referred to herein might be trademarks of their respective owners.

The information given herein, including drawings, illustrations and schematics which are intended for illustration purposes only, is believed to be reliable. However, TE Connectivity makes no warranties as to its accuracy or completeness and disclaims any liability in connection with its use. TE Connectivity's obligations shall only be as set forth in TE Connectivity's Standard Terms and Conditions of Sale for this product and in no case will TE Connectivity be liable for any incidental, indirect or consequential damages arising out of the sale, resale, use or misuse of the product. Users of TE Connectivity products should make their own evaluation to determine the suitability of each such product for the specific application.

© 2015 TE Connectivity Ltd. family of companies All Rights Reserved.