



LCS-04

LCS Series–Level Sensor

Features

- Rapid Push Fit installation
- Reed switch reliability

Comments

- Integral AMP Yazakil Connector
- Horizontal - Side entry
- Normally open or normally closed by sensor rotation
- Acetal housing and Polypropylene Float
- EPDM Sealing Grommet

Applications

- Water high or low Level
- Un-pressurized Central Heating Systems
- Fuel low level
- Drinking water level
- Organic Solvents

LCS-04

LCS Series—Level Sensor

Material

| | |
|--------------------------|----------------------|
| Housing/Shuttle Material | Acetal/Polypropylene |
| Float Material | Foamed Polypropylene |
| Contact Material | Ruthenium |
| Float SG | 0.8 |
| Operating Temperature °C | -30 to 60 |
| Medium | Water |
| Housing/Float Color | Black/White |

Mechanical Specifications

| | |
|------------------|-----------------------|
| Shock | 50g for 11mS duration |
| Vibration | 35g up to 500Hz |
| Maximum Pressure | 0.34 Bar |
| IP | IP65 |

Switching

| | |
|-----------------------------|---------------------------|
| Switch Action (Reed Switch) | SPST |
| Max Switching Voltage VDC | 48 |
| Max Switching Current Amps | 1 |
| Max Switching Load Watt | 40 |
| Operate Mode | N/C with float horizontal |
| Contact Form | A |

Cable

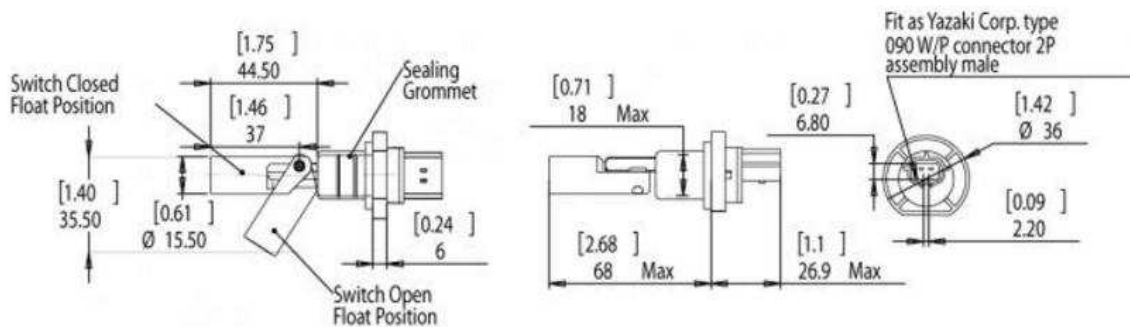
| | |
|-----------------|--------------------|
| Cable Length | Integral connector |
| Connection Type | Yazaki connector |

Mounting

| | |
|----------|------------|
| Thread | Push Fit |
| Fitment | External |
| Mounting | Horizontal |

Technical Drawing

LCS-04



NORTH AMERICA & EUROPE

MEAS Deutschland GmbH
a TE Connectivity Company
Hauert 13
D-44227 Dortmund
Germany
Phone: +49-(0)231-9740-0
Fax: +49-(0)231-9740-20
Email: info.de@meas-spec.com

ASIA

Measurement Specialties (China), Ltd.,
a TE Connectivity Company
No. 26 Langshan Road
Shenzhen High-Tech Park (North)
Nanshan District, Shenzhen 518057 China
Tel +86 755 3330 5088
Fax +86 755 3330 5099

te.com/sensorsolutions

Measurement Specialties, Inc., a TE Connectivity company.

Measurement Specialties, MEAS, TE Connectivity, TE Connectivity (logo) and EVERY CONNECTION COUNTS are trademarks. All other logos, products and/or company names referred to herein might be trademarks of their respective owners.

The information given herein, including drawings, illustrations and schematics which are intended for illustration purposes only, is believed to be reliable. However, TE Connectivity makes no warranties as to its accuracy or completeness and disclaims any liability in connection with its use. TE Connectivity's obligations shall only be as set forth in TE Connectivity's Standard Terms and Conditions of Sale for this product and in no case will TE Connectivity be liable for any incidental, indirect or consequential damages arising out of the sale, resale, use or misuse of the product. Users of TE Connectivity products should make their own evaluation to determine the suitability of each such product for the specific application.

© 2016 TE Connectivity Ltd. family of companies All Rights Reserved.