



DIFFERENTIAL Pressure Transducer AST5400 | AST54ED | AST54EN

Overview

AST5400 wet/wet differential pressure transducers can measure the differential pressure of liquids or gases with line pressures up to 5,000 PSI (350 bar) and a turn-down ratio of 15 to 1. Using Krystal Bond Technology, the AST5400 differential pressure transducer contains no silicone oil, O-rings, or welds. The low strain level on the diaphragm results in accurate, repeatable measurements.

The AST5400 wet/wet differential pressure transducer is commonly used to measure differential pressure across filters or calculate flow across an orifice plates. With its digital compensation, the AST5400 DP offers excellent linearity and performance over temperature.

The electronics offer a failsafe condition on the output signal.

The AST5400 DP can be manufactured using 316L, 17-4 PH, Inconel 718, or Hastelloy C276 and is available for hazardous locations.

Benefits

- Explosion Proof and Non-Incendive Available
- ABS (American Bureau of Shipping) Approved
- Krystal Bond™ Technology
- ASIC Compensation
- Turn-Down Capability
- Both or Either Pressure Port Can See Full Line Pressure - No Expensive Balancing Valves Required
- Line Pressure up to 5,000 PSI (350 Bar)
- Smart Electronics with Failure Condition Protection
- Wide Variety of Materials for Various Liquids and Gases

DIFFERENTIAL

AST5400 | AST54ED | AST54EN Pressure Transducer

Applications

- Oil / Gas Equipment
- Building Automation
- Fuel Systems
- Hydraulics
- Hydrogen (316L only)
- Labs / Metrology
- Compression Systems
- Military Vehicles
- HVAC/R Systems
- Desalination Equipment (Inconel718 Recommended)

Performance @ 25°C (77°F) [% of FS]

Total Error Band*	<± 1% of Line Pressure
Maximum Line Pressure	5,000 PSI (350 Bar)
Proof Pressure	2X Line pressure**
Burst Pressure	5X Line pressure
Pressure Cycles	> 100 Million

*Typical Values shown; Combined effects of Zero Offset, Span Tolerance, Thermal Zero, Thermal Span, Non-linearity, Repeatability and Hysteresis. **For higher line pressures, contact factory.

Environmental Data

Temperature

Operating	-20 to 70°C (-4 to 158°F)
Storage	-55 to 120°C (-67° to 248°F)

0-100% relative humidity, non-condensing

Thermal Limits

Compensated Range -20 to 70°C (-4 to 158°F)

Other

Shock	100G, 10msec, 1/2 sine
Vibration	10G peak, 20 to 2000Hz
EMI/RFI Protection:	Yes
IP Class:	IP-66; IP-67 Optional

DIFFERENTIAL

AST5400 | AST54ED | AST54EN Pressure Transducer

Electrical Data

Output	4-20mA	1-5V, 0-5V, 1-6V	1-10V, 0-10V
Excitation	10-28VDC	10-28VDC	15-28VDC
Current Consumption	-	< 15mA	< 15mA
Sampling Rate	200Hz	200Hz	200Hz
Output Load	< 1mV, RMS	< 1mV, RMS	< 1mV, RMS
Output Noise	0-800 Ohms@10-28VDC	5k Ohms, min.	5k Ohms, min.
Reverse Polarity Protection	Yes	Yes	Yes

Approvals

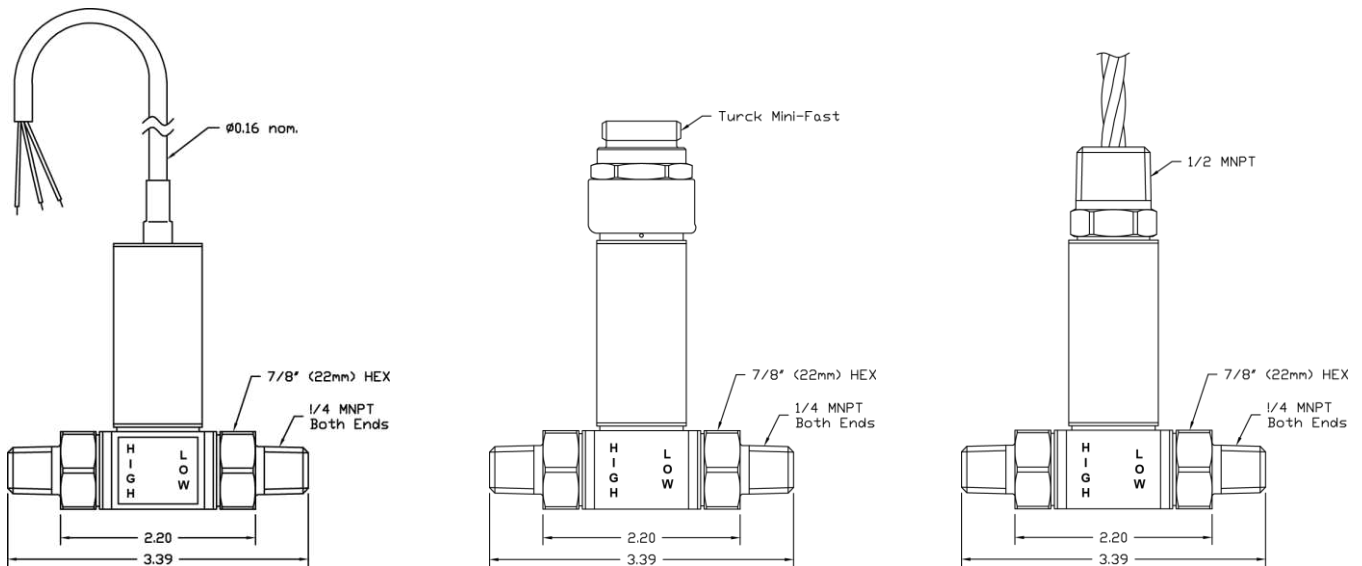
AST54ED

Class I, Div 1, Groups A,B,C,D Explosion Proof / Class II, Div 1, Groups E,F,G; Class III, Div 1
ATEX and IECEx
Ex d IIC T5 Gb

AST54EN

Class I, Div 2, Groups A,B,C,D Non-Sparking
ATEX and IECEx
Ex nA IIC T5 Gc

Dimensions



DIFFERENTIAL

AST5400 | AST54ED | AST54EN Pressure Transducer

Ordering Information

AST54	ED	A	01000	P	5	Y	0	0500	H	00	-Z
Series Type											
Approval ED= Explosion proof EN= Non-Incendive 00= OEM											
Process Connection A= 1/4" NPT Male F= 7/16-20 UNF Male B= 1/8" NPT Male R= 7/16-20 UNF Female											
Line Pressure Insert 5-digit code from chart											
Pressure Unit B= Bar K= kg/cm ² P= PSI H= Inches H ₂ O											
Output 1= 0.5-4.5V ratiometric 4= 4-20mA 6= 1-6V 2= 0-5V (3-wire) 5= 0-10V G= 1-10V 3= 1-5V											
Electrical Connection (see table) Subject to Approval Type Selected											
Wetted Material 0= 17-4PH 1= 316L 2= Inconel 718 4= Hastelloy C276											
Differential Pressure Range Insert 4-digit code from chart											
Fail Condition N= Not Specified H= Fail High L= Fail Low											
Options 00= No Special Options 11= Bi-Directional DP Range											

Approval
-Z= Add "-Z" for CRN Registered to ANSI/ASME B31.3. Contact factory for material, pressure, and process connection options

Line Pressure*

Differential Pressure Range* (PSID)	CODE	Line Pressure*							
		50	100	300	500	1000	2000	5000	
10	0010	✓	✓						
20	0020	✓		✓					
50	0050		✓	✓	✓				
75	0075		✓	✓	✓	✓			
100	0100		✓	✓	✓	✓	✓		
150	0150			✓	✓	✓			
200	0200			✓	✓	✓	✓		
300	0300			✓	✓	✓	✓		
500	0500				✓	✓	✓	✓	
750	0750					✓	✓	✓	
1000	1000						✓	✓	
2000	2000						✓	✓	
5000	5000							✓	

Electrical Connection Table		00	ED	EN
A	2 ft. (24 AWG)	*		
B	4 ft. (24 AWG)	*		
C	6 ft. (24 AWG)	*		
D	10 ft. (24 AWG)	*		
E	Mini DIN 43650C	*		
I	DIN 43650-A	*		*
M	Conduit, 4ft.	*		*
N	Conduit, 6ft.	*		*
R	6-Pin Bendix PT06	*		
T	Conduit, 18AWG, 24 in		*	
U	Conduit, 18AWG, 48 in		*	
W	Conduit, 18AWG, 2m		*	
Y	M12x1 4-Pin	*		
4	Turck Mini-Fast	*		*

NORTH AMERICA

American Sensor Technologies, Inc. (AST),
a TE Connectivity company
450 Clark Drive
Mount Olive, NJ 07828 USA
Tel +1 973 448 1901
Fax +1 973 448 1905
info@astsensors.com

ASIA

Hong Kong Sensor Technologies (HKST),
a TE Connectivity company
Unit No. 2 on 24/F., Perfect Industrial
Building, No. 31 Tai Yau Street,
San Po Kong, Kln., Hong Kong
Tel 852 2242 5048
info@hkstsensors.com

TE.com/sensorsolutions

American Sensor Technologies, Inc., a TE Connectivity company.

American Sensor Technologies, TE Connectivity, TE Connectivity (logo) and EVERY CONNECTION COUNTS are trademarks. All other logos, products and/or company names referred to herein might be trademarks of their respective owners.

The information given herein, including drawings, illustrations and schematics which are intended for illustration purposes only, is believed to be reliable. However, TE Connectivity makes no warranties as to its accuracy or completeness and disclaims any liability in connection with its use. TE Connectivity's obligations shall only be as set forth in TE Connectivity's Standard Terms and Conditions of Sale for this product and in no case will TE Connectivity be liable for any incidental, indirect or consequential damages arising out of the sale, resale, use or misuse of the product. Users of TE Connectivity products should make their own evaluation to determine the suitability of each such product for the specific application.

© 2015 TE Connectivity Ltd. family of companies All Rights Reserved.

AST5400 | AST54ED | AST54EN 10/01/15