

JAMESBURY® VALVCON Q6-SERIES ELECTRIC ACTUATOR FOR SPECIAL APPLICATIONS, OIL FIELD

Metso is a leading designer and provider of Valvcon compact, reliable, electronically controlled electric actuators for valves and dampers. We offer a complete line of electric actuators for accurate positioning of dampers and valves in the aerospace, automotive, consumer services, discrete manufacturing, energy, environmental, oil/pipeline, petrochemical, power/utilities, process, recreation, transportation, and water/wastewater industries.

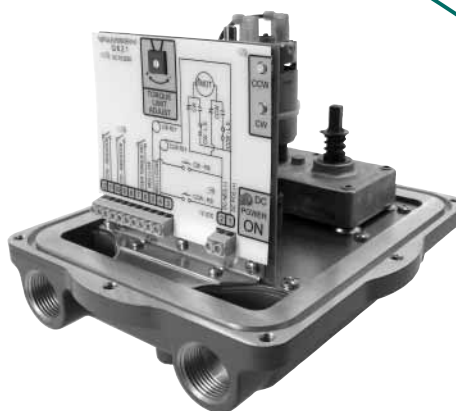
We have developed and introduced the industry's most innovative Metso Valvcon electric actuator products, including simple "set and go" calibration, intelligent processor-based digital electronics, "Plug-in" accessory boards, Back-Up Power actuators, as well as electric actuators designed for remote control, solar-powered applications and two-wire network applications.

FEATURES AND BENEFITS

The Valvcon Q6-Series actuator was designed for use in remote, solar powered locations. The low current draw DC motor, built in dual relays, lightning surge protection, and NEMA 4/4X/7&9 enclosure make this product suitable for use in oil and gas fields, off shore rigs, remote skids, and many other applications and locations. The actuator is DC powered and has a torque range up to 600 in-lb (50 lb-ft). The Q6 models are available in two styles, depending on which options are required.

Isolation and Electrical

Internal electronic control boards shall have clearly marked connection terminals for Power and Control connections to prevent miswiring. Electronic boards shall include an insulating overlay containing easy to follow wiring information. All connections will plug-in or be hardwired to simplify field repairs. No maintenance will be required.



Motor

The internal electric motor will be of a brushed DC type, capable of 80% duty cycle at full torque, at ambient temperature at or below 104° F.

Lubrication

All rotating power train components will be coated with a multi-purpose grease. Lubricants will be suitable for ambient conditions of 32° F to 150° F.

Gearing

The power train will be comprised of hardened steel, machine cut spur gears. Non-metallic, aluminum, cast or stamped gearing will not be permitted.

Limit Switches

Actuators will have two standard end-of-travel switches and two standard end-of-travel indication switches; single pole double throw, rated for 11 amps at 250 VAC. The switches will be adjustable to operate at any position as required by the process application.

On/Off (Open/Close) Operation

Open/Close actuators will be controlled by two contacts, one for driving in the clockwise direction and one for driving in the counter-clockwise direction. The Control voltage may be removed mid-stroke to position the valve.

Break-away Torque

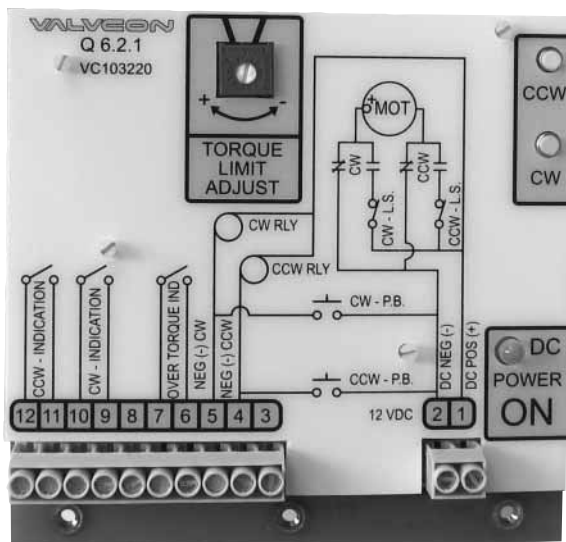
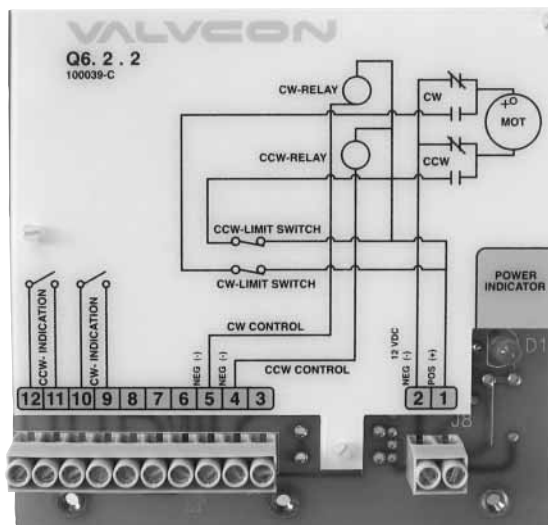
Designed for efficiency and reliability, all Metso Valvcon actuators deliver the power you need when and where it is needed. With efficient gear trains and motors the actuators are rated at breakaway torque. Immediately upon power up, the actuator supplies the rated torque — when it is needed to break the valve away from its seat. Other manufacturer’s actuators may be rated at running torque, but actually deliver significantly less breakaway torque.

COMMON FEATURES AT A GLANCE!

- Ideal for Remote, Solar Power Locations using RTUs
- Built-in Dual Relays Provide Signal Isolation
- Low current draw
- Two auxiliary limit switches
- One PC board (motherboard only)
- LED input power indicator
- ISO 5211 Mounting
- CSA Approved

OPTIONAL FEATURES (Q6.2.1 AND Q6.2.3 ONLY)

- Transient voltage protection
- Adjustable torque switch
- Manual push button control

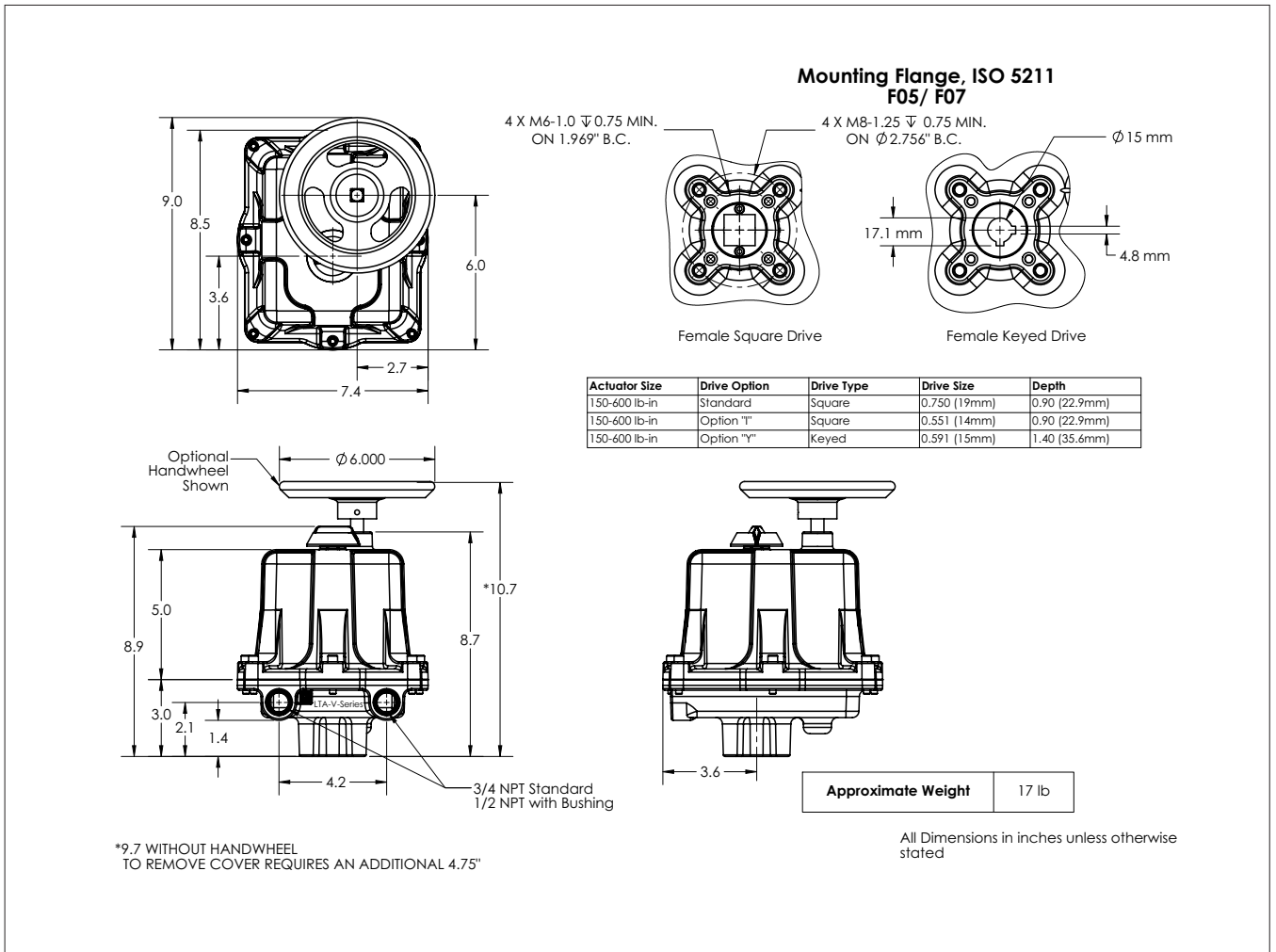


Q6-SERIES DATA

Series	Torque (in lbs)	Voltage (VDC)	Amp Draw (running)	Amp Draw (idle)	Cycle Time (90 degrees)	Duty Cycle*	Operation	Enclosure	Temp. Range
Q6	150-600	12	.3 (no load) 1.3 (full load)	3mA	15 seconds	Continuous	Reversing	NEMA 4/4X/7&9	32-150°F

* 80% after one hour

Q6-SERIES ENCLOSURE



ALL DIMENSIONS IN INCHES

JAMESBURY VALVCON – COMMITTED TO CUSTOMER SERVICE, QUALITY & SUPPORT

Committed to Customer Service

Metso worldwide web site: www.metso.com/valvcon, provides 24 hour a day access to all technical support material—from sales brochures to instruction manuals to installation and troubleshooting tips. For local support, our network of trained stocking distributors/representatives are industry leading experts in valve automation. Contact the Metso, *Jamesbury* Valvcon product web site to locate the nearest stocking distributor/representative.

Timely Technical Support

Metso Product Support is on call to answer your engineering or application questions, and to quickly repair or upgrade your actuators. These highly trained support engineers offer a broad range of expertise, with the combined experience to assist specifying engineers and contractors with information on feasibility and special applications.

A Tradition of Quality

Metso is dedicated to producing superior-quality products that are second to none. Our development laboratory and manufacturing facilities exemplify our total commitment to producing quality products.

Subject to change without prior notice.

Metso Automation Inc.

Europe, Vanha Porvoontie 229, P.O. Box 304, FI-01301 Vantaa, Finland.
Tel. +358 20 483 150. Fax +358 20 483 151

North America, 44 Bowditch Drive, P.O. Box 8044, Shrewsbury, MA 01545, USA.
Tel. +1 508 852 0200. Fax +1 508 852 8172

South America, Av. Independência, 2500- Iporanga, 18087-101, Sorocaba-São Paulo Brazil. Tel. +55 15 2102 9700. Fax +55 15 2102 9748/49

Asia Pacific, Haw Par Centre No. 06-01, 180 Clemenceau Avenue, 239922 Singapore, Singapore.
Tel. +65 6511 1011. Fax +65 6250 0830

China, 19/F, the Exchange Beijing, No. 118, Jianguo Lu Yi, Chaoyang Dist, 100022 Beijing, China.
Tel. +86-10-6566-6600. Fax +86-10-6566-2575

Middle East, Roundabout 8, Unit AB-07, P.O. Box 17175, Jebel Ali Freezone, Dubai, United Arab Emirates. Tel. +971 4 883 6974. Fax +971 4 883 6836

www.metso.com/valvcon

